



TB852A-HC

SELF-CONTAINED PEBBLES ICE MAKER

Brema's TB range of self-contained ice makers produces pebbleshaped ice particles and stores them in an internal storage bin.

The Brema TB852A-HC is an under bench ice machine that produces 90kg of pebbles ice per 24 hours and has storage capacity of 20kg.

Pebbles ice is ideal for crushing, blending and mixing into cocktails, fruit juices, smoothies and frappés. The ice has a fast and efficient refrigerating effect and is easy to handle and dose.

STANDARD FEATURES

- 90kg production per 24 hours
- 20kg storage capacity
- Produces pebble-shaped ice
- Production rated at 21°C air and 15°C water
- Hospital grade stainless steel outer
- Fully insulated internal storage bin
- Disappearing insulated door
- Electromechanical operation
- Powerful gear motor and auger system
- Water to ice ratio - 1L of water makes 1kg of ice

STANDARD ACCESSORIES

- Water inlet hose
- Drainage hose
- External water filter
- Pressure limiting valve
- Plastic ice scoop
- Adjustable stainless steel legs (4)

DIMENSIONS

500W x 660D x 690*H mm *add 110-150mm for adjustable legs

Clearances: Rear: 100mm Sides: 100mm

POWER SUPPLY

240V 50Hz 10A single phase (plugged)

CONNECTIONS

3/4" Water inlet, 24mm Water outlet & Electrical connection

	W	H
Water inlet	99 mm	158 mm
Water Outlet	48 mm	151 mm
Electrical Connection	87 mm	230 mm

TECHNICAL DATA

Energy Consumption: 440W

Production 24h: 90kg

Storage Capacity: 20kg

Cooling System: Air

Cube: Pebbles

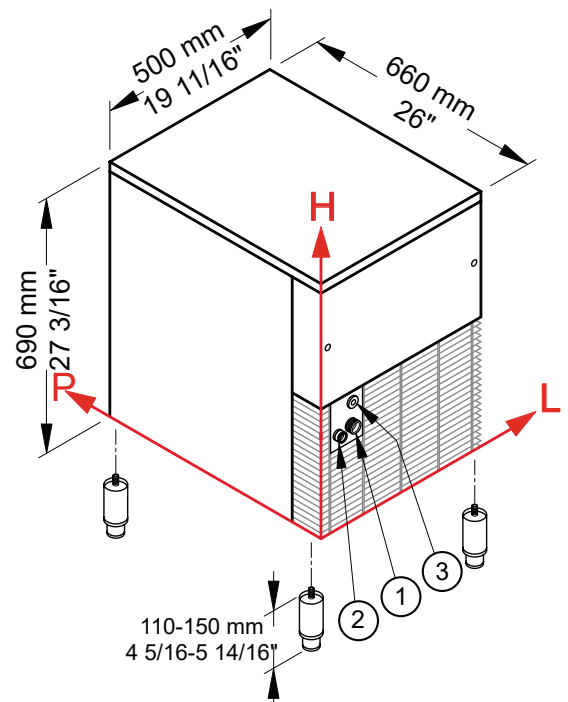
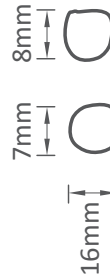
Refrigerant: R290

Weight: 59kg

WaterMark: Yes



Pebbles Ice



- ① Water in.
- ② Water out.
- ③ Electrical connections

