

Camshelving® GN 1/1 Food Pan Trolley

Full Size Trolley

Holds 18 each GN 1/1 Food Pans, 6,5 cm (2½") Deep

Half Size Trolley

Holds 9 each GN 1/1 Food Pans, 6,5 cm (2½") Deep

Features & Benefits

- Multi-purpose, end load trolley for holding, storing and transporting bulk food in GN food pans. Compact, slim design maximizes working space and storage space.
- Made from an extremely strong, revolutionary composite material with a smooth, easy to clean surface.
- Lifetime warranty against rust and corrosion.
- No metal parts, welds, screws, cross bars or metal casters than can break, bend, dent, rust or corrode.
- Moves easily between kitchen, freezer, cooler and/or off premise.
- Rails accept/hold hot pans from 200°C oven.
- No marking or metal wipe from metal pans.
- Wide 7,6 cm (3") rail spacing offers greatest versatility and ease of use.
- Top frame features molded in supports to hold a single GN 1/1 Food Pan to cover and protect contents below. Convert the half size unit into a light duty workstation by placing a GN 1/1 cutting board on the top frame.
- Molded in lip load rails (food pan flange hangs from rails) for food pans.
- Molded in 3 mm pan stops on each rail end help keep pans on the rails when turning or transporting.
- Food pan holding capacity:

	6,5 cm (2½")	10 cm (4")	15 cm (6")	20 cm (8")
Full Size Trolley				
1/1 Pans	18 each	9 each	9 each	6 each
1/2 Pans	36	18	18	12
1/3 Pans	54	36	36	18
Half Size Trolley				
1/1 Pans	9	4	4	3
1/2 Pans	18	8	8	6
1/3 Pans	27	12	12	9

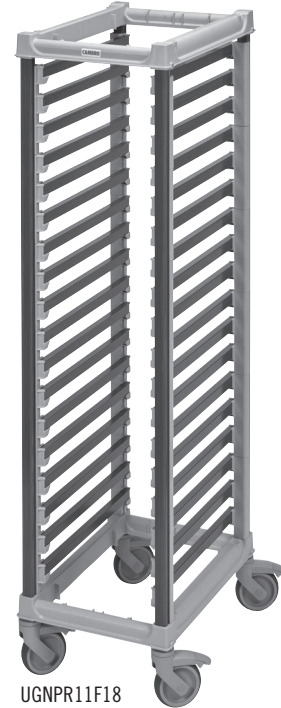
- Weight bearing per rail set is 45 kg. Unit weight bearing is 340 kg.
- Four each heavy duty, 12,7 cm (5") premium plastic swivel casters all with total locking brake. Locks swivel and wheel. Non-marking thermoplastic rubber wheel. Rust and corrosion free.
- Easy to clean. Wipe down or pressure wash.
- Ships knockdown with casters and bottom frame wedges factory installed. Minimal assembly required.
- Components are easy to remove and replace if damaged, ensuring a lifetime of service.
- Optional accessories include Food Pans and Flat Covers. Full Size Vinyl Cover and Rail Pan Stop coming soon.
- Available in 1 color only – Speckled Gray (480).
- Patent pending.

Project _____

Item No. _____

Model No. _____

Quantity _____



UGNPR11F18
Full Size Trolley



UGNPR11H9
Half Size Trolley

Approvals



Information and specifications are subject to change without notice. Please confirm at time of order.

Camshelving® GN 1/1 Food Pan Trolley

Project _____

Item No. _____

Model No. _____

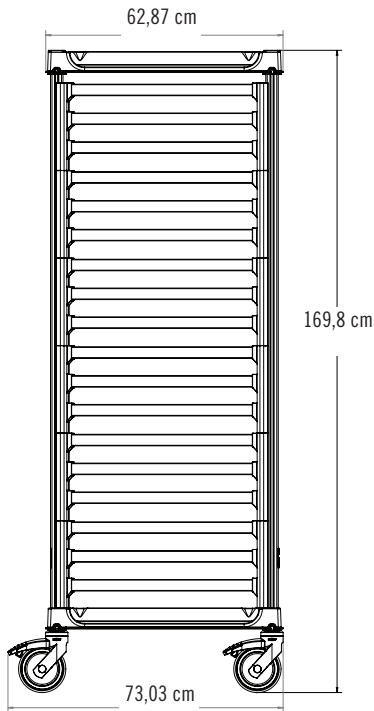
Quantity _____

Full Size Trolley

Holds 18 each GN 1/1 Food Pans, 6,5 cm (2½") Deep

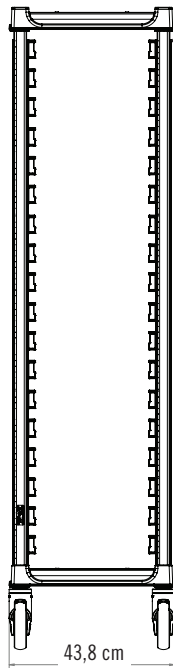
Half Size Trolley

Holds 9 each GN 1/1 Food Pans, 6,5 cm (2½") Deep

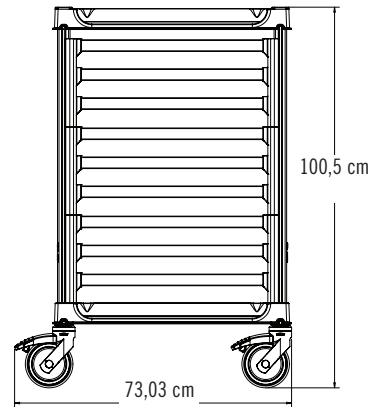
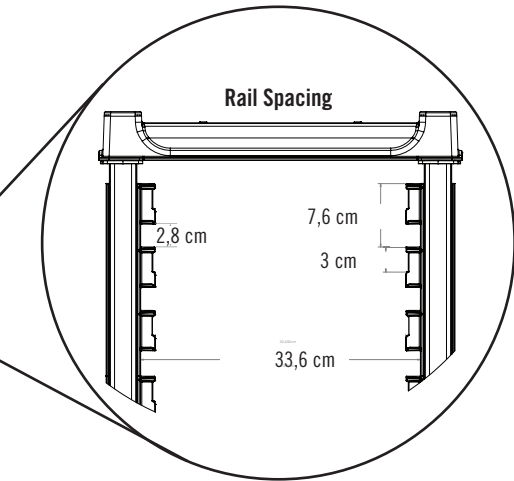


SIDE VIEW

UGNPR11F18

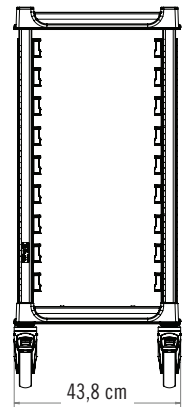


FRONT VIEW



SIDE VIEW

UGNPR11H9



FRONT VIEW

Specifications

Dimension Tolerance: +/- 0,64 cm

Code	Description	Load Capacity	Dimensions L x W x H*	Unit Weight
UGNPR11F18	Full Size Trolley	340 kg	73,03 x 43,8 x 169,8 cm	24,10 kg
UGNPR11H9	Half Size Trolley	340 kg	73,03 x 43,8 x 100,5 cm	14,82 kg

* Includes 12,7 cm (5") Casters.

Architect Specs

Mobile Posts: Proprietary non-corrosive composite material. Post Connector Frames: Reinforced nylon. Side Rail Panels: Proprietary non-corrosive composite material and reinforced polypropylene. Post Connector Frame Wedges: Reinforced polypropylene. Casters: 12,7 cm (5"), plastic nylon frame, metal stem, non-marking thermoplastic wheel, with total locking brake. Units ship knockdown with casters and bottom post connector frame wedges factory assembled onto posts. Holds GN 1/1, 1/2 and 1/3 size food pans. Weight bearing per rail set is 45 kg. Unit weight bearing is 340 kg. Lifetime warranty against rust and corrosion. Unit color is Speckled Gray (480). Patent pending.

Standard Color

☐ Speckled Gray (480)

Approvals



COMPONENT

Information and specifications are subject to change without notice. Please confirm at time of order.



National Head Office
156 Swann Drive
Derrimut VIC 3026
Tel: +61 3 8369 4600
Fax: +61 3 8369 4699
www.comcater.com.au

Melbourne
96-100 Tope Street
South Melbourne VIC 3205
Tel: +61 3 8699 1200
Fax: +61 3 8699 1299

Sydney
20/4 Avenue of the Americas
Newington, NSW 2127
Tel: +61 2 8775 9500
Fax: +61 2 9648 4762

Brisbane
46-60 Dunhill Crescent,
Morningside, QLD 4170
Tel: +61 7 3900 2700

Perth
Unit 16, 7 Abrams Street
Balcatta, WA 6021
Tel: +61 8 6217 0700
Fax: +61 8 6217 0799

from the world of Comcater!