

## Dish Caddies

For 9 $\frac{1}{2}$ " , 11 $\frac{1}{4}$ " , 12 $\frac{1}{4}$ " (24, 29, 31 cm) Plates

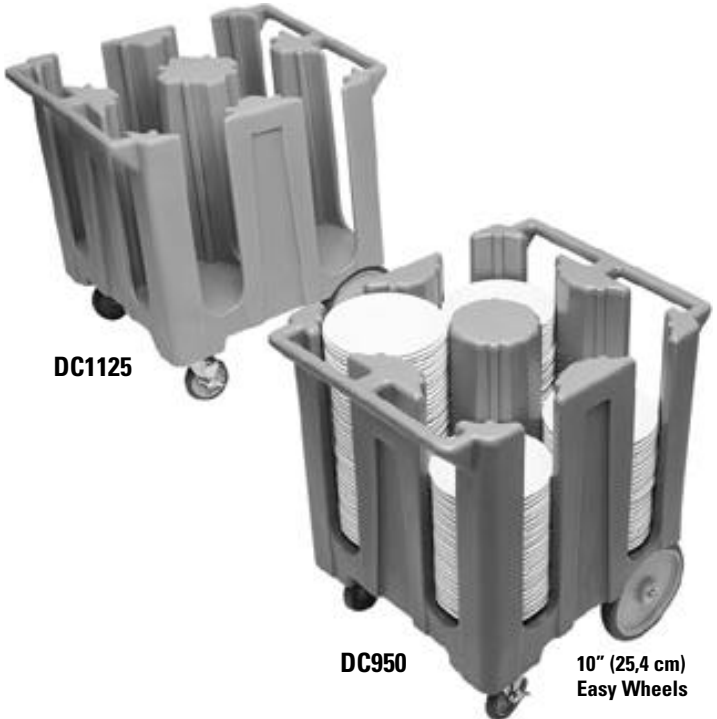
Models DC950, DC1125

DC1225 (No photo shown)

### Features & Benefits



- Each model protects and stores one size of plate, ranging in size from 9 $\frac{1}{2}$ " - 12 $\frac{1}{4}$ " (24 - 31 cm).
- Each column is approx. 20 $\frac{1}{2}$ " (52 cm) deep and stacking capacity is approx. 45 - 60 plates per column. Four column models holds approx. 180 - 240 plates.  
Model DC950 (4 columns)  
Holds 9 $\frac{1}{2}$ " (24 cm) plates.  
Model DC1125 (4 columns)  
Holds 11 $\frac{1}{4}$ " (29 cm) plates.  
Model DC1225 (4 columns)  
Holds 12 $\frac{1}{4}$ " (31 cm) plates.
- Impact resistant and shock absorbent to protect valuable plates against breakage and chipped edges.
- Poker chip style offers greater access for easy plate removal.
- One-piece seamless double-wall, high-density polyethylene construction is extremely durable and reliable. Won't dent, crack, bubble, chip and break.
- Foamed in-place polyurethane core adds structural strength and reduces noise.
- Rounded corners add extra safety feature for employee handling and protect walls, furniture and other equipment during transportation.
- Molded-in handles on both ends offer sturdy and controlled handling. Will not bend or break.
- Two each 5" (12,7 cm) swivel casters w/ brakes and 2 each 10" (25,4 cm) Easy Wheels offer smooth and easy transport across floors or carpet.
- Vinyl cover included for sanitary storage. (It is not NSF listed.)
- No assembly required.
- Available in 7 colors.



DC1125

DC950

10" (25,4 cm)  
Easy Wheels



Dish Caddy with  
Vinyl Cover

Item No. \_\_\_\_\_

Specifier Identification No. \_\_\_\_\_

Model No. \_\_\_\_\_

Quantity \_\_\_\_\_

### Approvals



# Dish Caddies

For 9<sup>1</sup>/<sub>2</sub>" , 11<sup>1</sup>/<sub>4</sub>" , 12<sup>1</sup>/<sub>4</sub>" (24, 29, 31 cm) Plates

Models DC950, DC1125

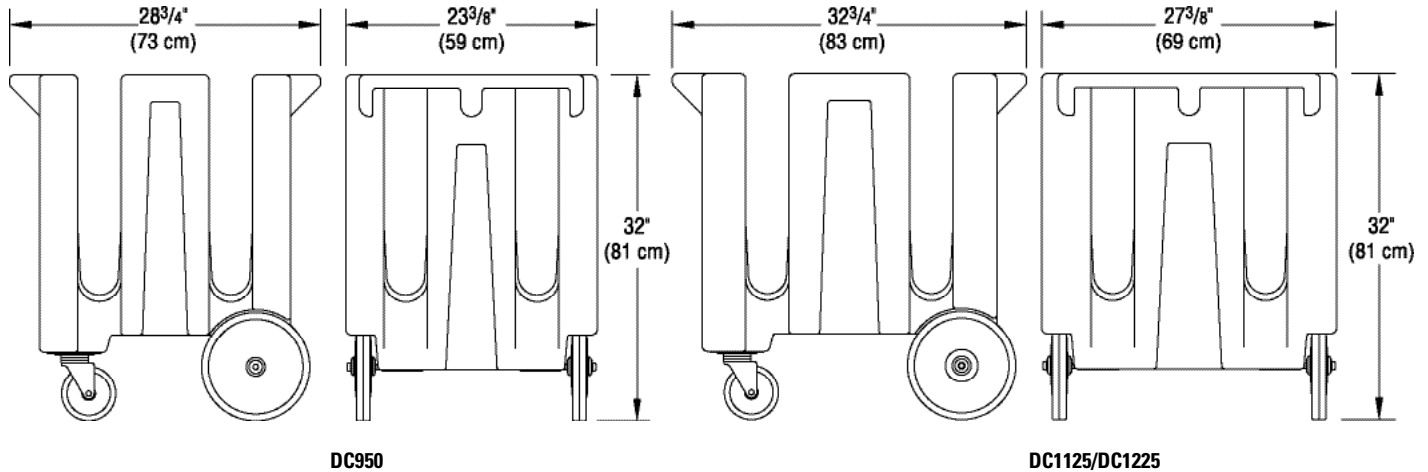
DC1225 (No photo shown)

Item No. \_\_\_\_\_

Specifier Identification No. \_\_\_\_\_

Model No. \_\_\_\_\_

Quantity \_\_\_\_\_



## Specifications

Dimension Tolerance: +/- 1/4" (0,64 cm)

Code	Description	Plate Size	Columns Per Caddy	Approx. Depth Per Column	Max. Stacking Height Per Column	Dimensions L x W x H	Case lbs./cube Kg/m <sup>3</sup>
DC950	Dish Caddy	Holds 9 <sup>1</sup> / <sub>2</sub> " (24 cm)	4	20 <sup>1</sup> / <sub>2</sub> " (52 cm)	45-60 plates	28 <sup>3</sup> / <sub>4</sub> " x 23 <sup>3</sup> / <sub>8</sub> " x 32" (73 x 59 x 81 cm)	64 (14.59) 29 (0,41)
DC1125	Dish Caddy	Holds 11 <sup>1</sup> / <sub>4</sub> " (29 cm)	4	20 <sup>1</sup> / <sub>2</sub> " (52 cm)	45-60 plates	32 <sup>3</sup> / <sub>4</sub> " x 27 <sup>3</sup> / <sub>8</sub> " x 32" (83 x 69 x 81 cm)	64 (14.59) 29 (0,41)
DC1225	Dish Caddy	Holds 12 <sup>1</sup> / <sub>4</sub> " (31 cm)	4	20 <sup>1</sup> / <sub>2</sub> " (52 cm)	45-60 plates	32 <sup>3</sup> / <sub>4</sub> " x 27 <sup>3</sup> / <sub>8</sub> " x 32" (83 x 69 x 81 cm)	58 (12.82) 26,5 (0,36)

## Architect Specs

The dish storage and transport cart shall be a Dish Caddy, Model..., manufactured by Cambro Mfg. Co., Huntington Beach, CA 92648 U.S.A. It shall be made of one-piece, seamless, double-wall, high-density, polyethylene and shall be injected with polyurethane foam. It shall have rounded corners and molded-in handles. It shall have 4 each approx. 20<sup>1</sup>/<sub>2</sub>" (52 cm) columns and shall offer dish-stacking capacity of approx. 45-60 plates per column. It shall be available in 3 models and shall have permanent dividers designed to accommodate 9<sup>1</sup>/<sub>2</sub>" - 12<sup>1</sup>/<sub>4</sub>" (24 - 31 cm) plates (by specific model). It shall have 2 each 5" (12,7 cm) swivel casters with brakes and 2 each 10" (25,4 cm) Easy Wheels. It shall have a vinyl cover that is not NSF listed. It shall require no assembly. It shall be available in 7 colors.

## Standard Colors

- Black (110)
- Dark Brown (131)
- Coffee Beige (157)
- Gray (180)
- Granite Gray (191)
- Granite Green (192)
- Slate Blue (401)

## Approvals

