

Electric, self contained, tilting kettle with worm drive tilt mechanism and 150lt capacity, 2/3 jacketed. Simple & reliable solid state controls for accurate temperature control ( $\pm 1^{\circ}\text{C}$ ) and low water safety. All exterior surfaces are stainless steel.

### STANDARD FEATURES

- Splash proof element cover with a double gasket seal
- IPX6 Rated water resistant controls, splash-proof construction
- Large pouring lip for high capacity and chunky products
- 50 psi steam jacket rating for higher cooking temperatures
- Self-contained - needs only an electrical hook-up
- Steam jacket filled with treated water, venting and/or refilling is not required
- Re-inforced rolled rim design prevents damage to kettle rim, eliminates "bar rim designs"
- Welded-in heating elements, (holds vacuum better, won't leak or loose water)
- Contains "spare" element as contingency
- Easily cleaned: kettle and all exterior surfaces are of type 304 stainless steel with an #4 finish
- Spring-assisted, hinged, rotatable, domed Stainless Steel Cover (CHS40)
- 51mm diameter Tangent Draw-Off Valve (TD2)
- Solid state water level control (no sight glass gauge to break or leak)
- Tilt mechanism of roller bearings and case hardened self-locking worm and segment gear
- Tri-leg supports with level adjustable feet for floor bolting
- Operating temperature range from  $63^{\circ}\text{C}$  -  $127^{\circ}\text{C}$
- Rear mounted easy access pressure gauge and pressure relief valve to prevent tampering.
- Heat Deflector Shield (HS001)
- Type 316 Stainless Steel Kettle Liner (316)

### ACCESSORIES

- Pan Carrier (PCK)
- Flow Diverter (FD)
- Food Strainers (FS40)
- Cooking Baskets and Tri-Basket Supports (TBS-40)
- Kettle Accessory Kit (KAK) includes: Clean-up Brush (CB) - 914mm Kettle Paddle (KP), 914mm Kettle Whip (KW) - 914mm Kettle Brush, Draw-Off Brush (DB) - 24 oz. Ladle (KL)
- Lift-Off Covers (CL40)
- Measuring Strip (MS-40)
- Kettle Markings (KMIL - factory fitted)
- Swing Funnels for drain (SF3)
- Hot and Cold Water Faucet with Swing Spout and Mounting Bracket (DPK20)

### TECHNICAL DATA

Power Supply: 3NAC 415V 50Hz, 25.1 amp  
(Cable & Plug not included)

Total Output: 18.1kW

Capacities (per kettle):  
(in 150 gram servings, other sizes may be calculated)  
40 gallons / 150 litres - 640 servings

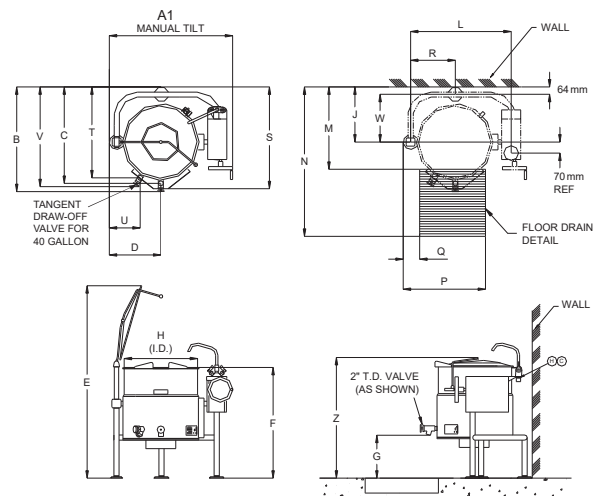
### SHIPPING DATA

Shipping Weight: 166 kg  
Shipping Dimensions: 1117W x 1117D x 1372H mm

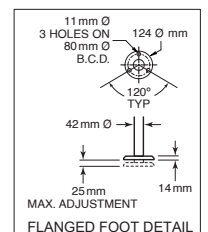
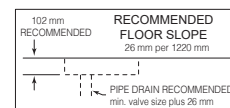
SPECIFICATIONS ARE SUBJECT TO CHANGE WITHOUT NOTICE.



KEL40T - OPT2 shown



KETTLE SHOWN WITH OPTIONAL SPRING ASSIST COVER, WATER FAUCET AND T.D. VALVE



CLEARANCE	
RIGHT = 4.0"	handle clearance
LEFT = .00"	
REAR = 2.5"	

WATER	
$\frac{3}{8}$ " O.D. copper tube or $\frac{1}{2}$ " N.P.T. pipe.	
When ordered with optional faucet.	

### DIMENSIONS

LITRES	A1	B	C	D	E	F	G	H	J	L	M	N	P	Q	R	S	T	U	V	W	Z
150	mm	1055			1740	1004	347	661	508	858	661	1423	724	140	428	959	864	140	943	445	1080