

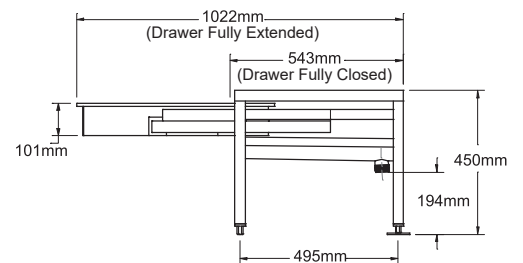
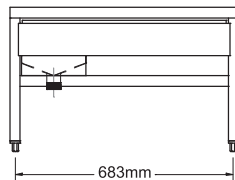
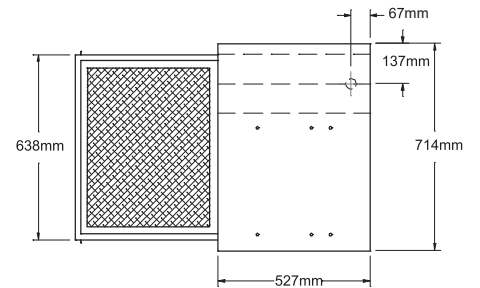
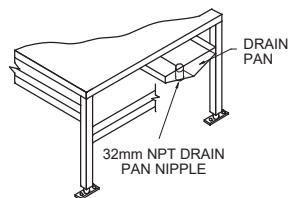
450mm high support stand
Removable drain drawer
All stainless steel

STANDARD FEATURES

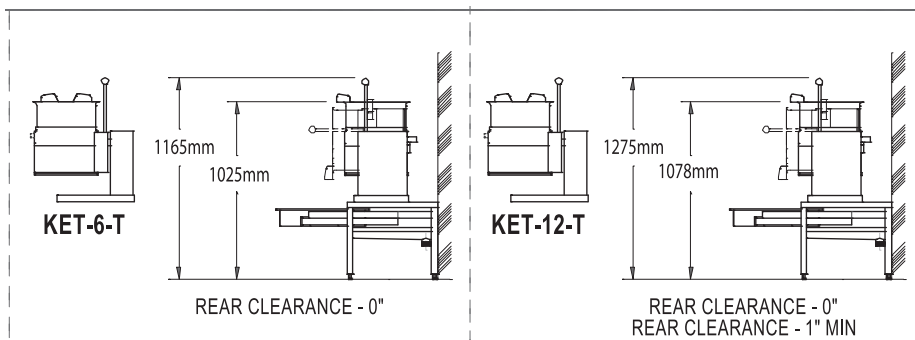
- All Stainless Steel construction with 32mm square tubing
- Adjustable Feet (rear feet are flanged for Floor Bolting)
- Ideal for mounting table top kettles – KET6T or KET12T
- Splash guard SG28 for ST-28



REAR VIEW / DRAIN PAN DETAIL



MOUNTING OPTIONS (SELECT ANY ONE UNIT PER STAND)



NOTES:

Cleveland Range reserves right of design improvement or modification, as warranted.