

A heavy duty dishwasher, the Prime Line dishwasher offers a simple control panel with straight forward cycle options at your fingertips. The PF45 features 4 wash cycles and durable double skinned stainless steel door.

STANDARD FEATURES

- Full stainless steel frame, tank and panels
- Colour coded status indicators - Green means Ready to start, Blue means cycle started, Red means alarm/check fault
- Soft start - cycle begins slowly to prevent glasses and crockery moving and possible breakage
- Digital temperature display
- Drain pump
- Adjustable feet supplied standard
- 1 piece deep drawn wash tank
- Inlet and waste hoses included
- Detergent dispenser & rinse aid dispenser
- Guaranteed rinse cycle only when water reaches set temperature
- Micro filter on wash pump which delivers better wash results
- Accessories include: 1 peg rack, 1 flatware rack, 1 cutlery container
- WRIS2+ Wash and Rinse Arm. Smart design delivers 25% reduction in rinse water consumption

DIMENSIONS

Dishwasher: 600W x 600D x 815H mm

Clearance: 360 mm

Rack size: 500mm x 500mm

WASH CYCLE

4 Cycles - Eco Fast (90 sec) / Glasses (90 sec) / Dishes (120 sec) / Intensive (240 seconds)

POWER SUPPLY

220-240 Volts, 15A single phase with plug

TECHNICAL DATA

Energy Consumption: 2.95 kW

Water Temp. Supply: 45° - 55°C

Water Connection: 2-4 bar, 3/4"

Drainage: Hose provided 2m Long - Max drainage height 800mm

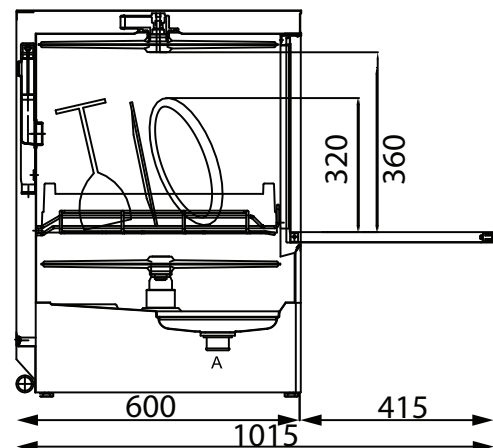
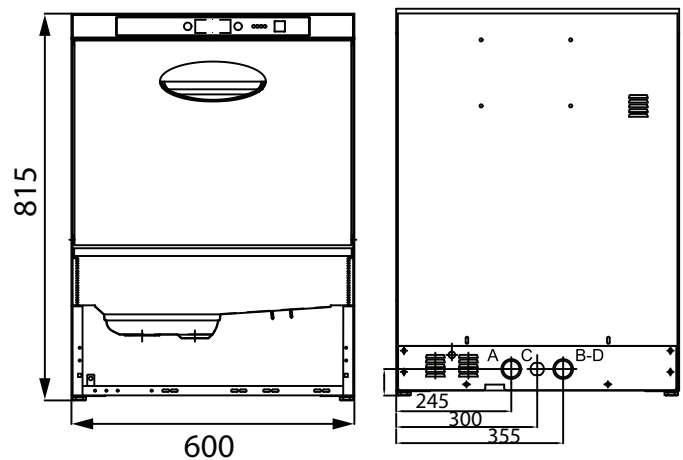
Water Consumption: 2.5L per cycle / rack

Noise: 63 dBA

Weight: 59 kg

Control Panel: Digital

SPECIFICATIONS ARE SUBJECT TO CHANGE WITHOUT NOTICE.



- A | TANK DRAIN
- B | WATER INLET 50/60°C - 2/4BAR
- C | ELECTRICAL CONNECTION
- D* | COLD WATER INLET 2/4BAR
- * | ONLY FOR MACHINE WITH COLD RINSE