

Specifically designed to filter oil from any 25 Litre Frymaster or Dean Fryer. Frymaster portable filters are easy to use and are specifically designed to preserve oil life by filtering out sediment and oil breakdown products, maximizing oil life and contributing to the consistent production of great tasting fried foods.

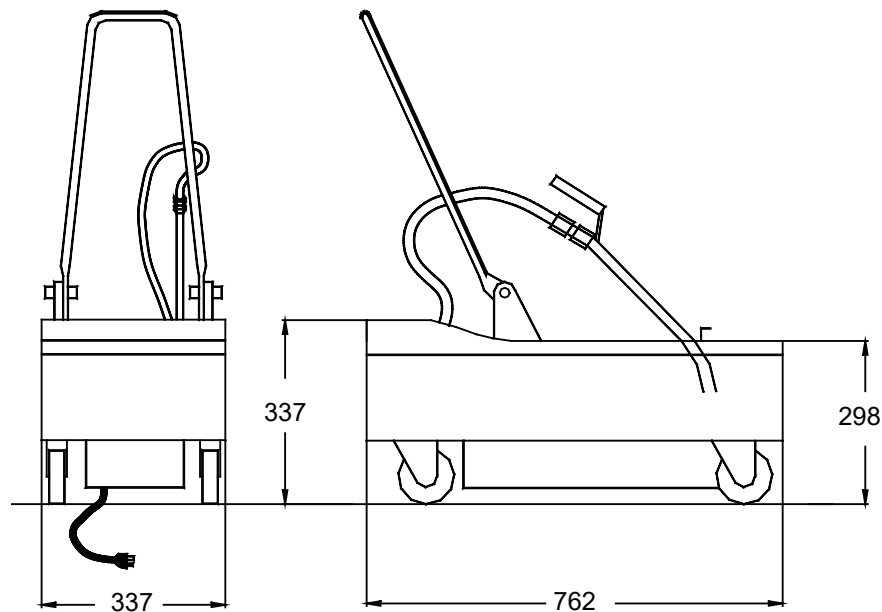
Standard 305 x 457 mm Filter Magic® filter paper and Filter Magic powder are required to effectively filter 25 Litres of oil in five minutes from start to finish. Nothing preserves oil life and ensures the quality of fried foods better than regular oil filtration. The by-products created by high-heat frying take a toll on oil life unless a daily system of filtration and cleaning removes them. Independent heat keeps the suction line open and oil free flowing. The filter wand is durable and efficiently flushes crumbs and residue from the frypot. The PF50R model comes with a reversible pump which can be used to both remove oil and refill any manufacturer's 25 litre fryer.

### STANDARD FEATURES

- 25 Litre Capacity
- 1/3 HP heavy-duty pump
- Filters from bottom leaving minimal heel oil
- Fast – filters a 25 Litre fryer in 5 minutes
- 1.5m return hose with nozzle screen cover
- Includes filter starter kit
- Stainless steel filter pan and pump assembly housing
- Cover and fold-down handle for safe and easy storage
- Steel frame mounted on four swivel casters allows for easy movement
- Heated suction line keeps the return line open and oil free flowing
- Is suitable for solid shortening

### ACCESSORIES

- Filter Paper (100 sheets) – 8030170
- Filter Powder (sachets) – 748928-S
- Filter Bag – AF-BM36TW
- Filter Bag Frame Support – AF-FRACEMW



### DIMENSIONS

External: 337W x 765D x 337H mm

Weight: 39 kg

Drain Height: 296mm

### TECHNICAL DATA

Power Supply: 230VAC, 50Hz, 5amp (supplied with 2.5m lead and plug)

### SHIPPING DIMENSIONS

External: 405W x 800D x 465H mm

Weight: 55kg

SPECIFICATIONS ARE SUBJECT TO CHANGE WITHOUT NOTICE.