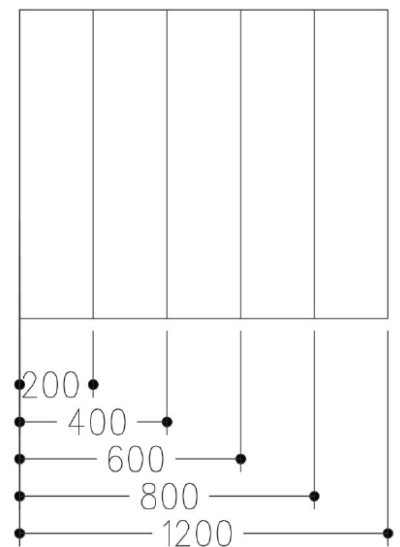
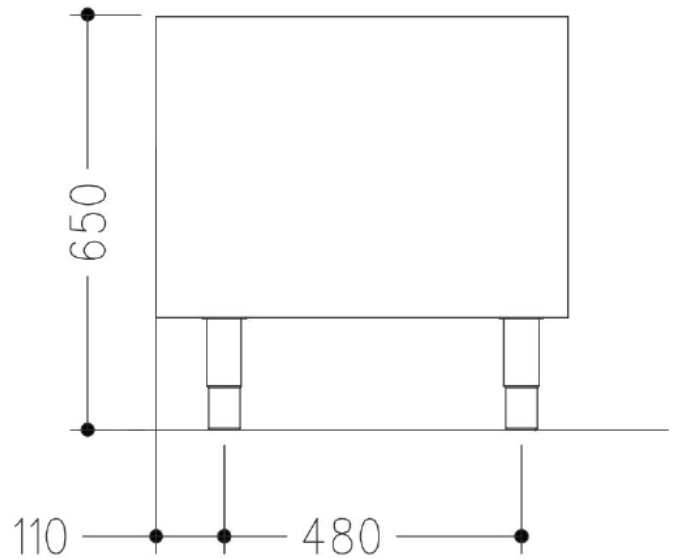
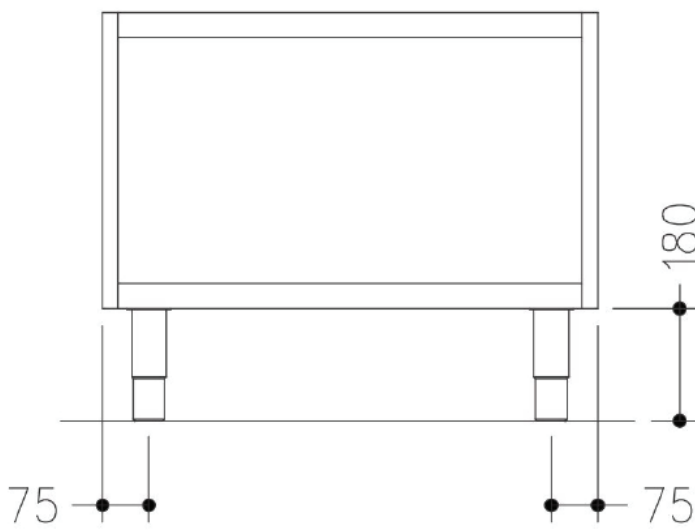


Hygienic double-wall H2 base unit in stainless steel.

Height adjustable feet in stainless steel.



**DIMENSIONS**

External: 595D x 800W x 620H mm

**SHIPPING DATA**

Net Weight: 25kg

Shipping Weight: 28kg

Shipping Dimensions: 680W x 830L x 650H mm

SPECIFICATIONS ARE SUBJECT TO CHANGE WITHOUT NOTICE.