

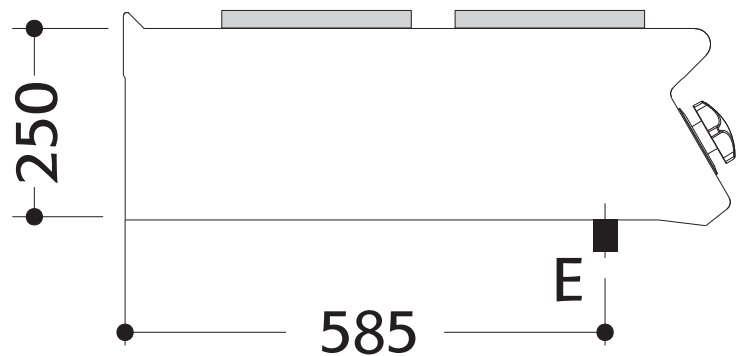
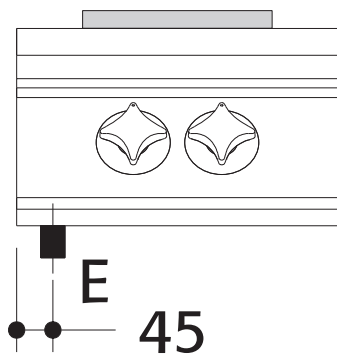
Electric hob constructed in AISI 304 stainless steel. 1.5mm thick pressed top, designed for back-to-back alignment and to accommodate the water column accessory. Recessed top to contain spills. Round Ø 220 mm sealed hotplates in cast-iron with 2.6 kW output. 7-position selector switch for heat adjustment. Activation of heating signalled by an orange indicator led on the control panel. Hotplates equipped with automatic reset safety thermostat which trips in the event the appliance is switched on with an unsuitable pan or no pan at all. Indicator leds for verifying correct appliance operation.

STANDARD FEATURES

- 1.5mm thick pressed stainless steel tops
- Modular design
- Interlocking device supplied with all units

OPTIONAL FEATURES

- Cabinet base and doors
- Hygienic cabinet base with pressed runners
- Refrigerated base
- 50mm stainless steel frame for worktop installed on refrigerated base or countertop



LEGEND

E = Socket

DIMENSIONS

External: 730D x 400W x 250H mm

Plate Dimensions: 2 x Ø 220

TECHNICAL DATA

Power Supply: 400V 3NAC 50Hz (Lead & Plug not included)

Total Output: 5.2kW

SHIPPING DATA

Net Weight: 20kg

Shipping Weight: 28kg

Shipping Dimensions: 430W x 840L x 550H mm

SPECIFICATIONS ARE SUBJECT TO CHANGE WITHOUT NOTICE.

