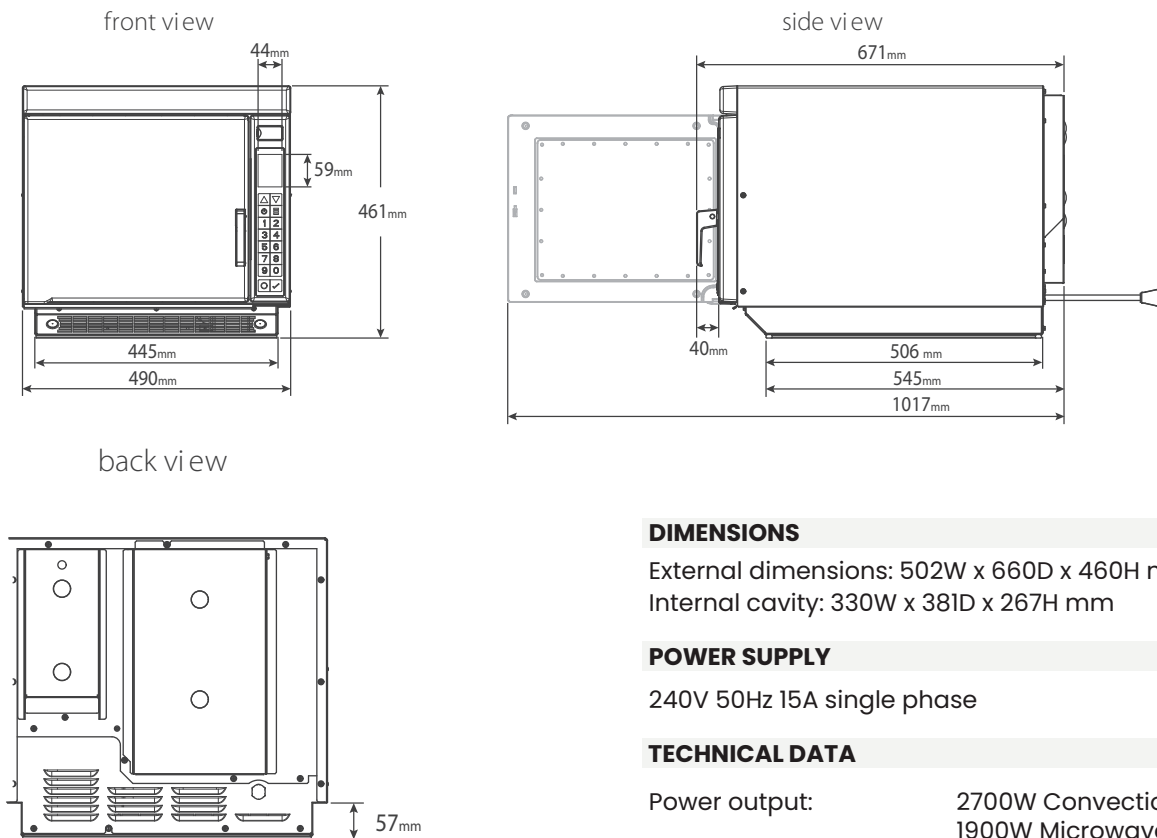


Combines cooking energies for superior baking results FAST!

- 2700W Convection enhances toasting and browning
- 95°– 250°C (200°– 475°F) temperature range
- 1400 or 1900W top antenna feed microwave system heats quickly, reduces cooking time
- Flexible cooking platform. Use any combination of convection and microwave

The JETWAVE evenly and consistently bakes, browns and toasts food up to four times faster than traditional methods.



### DIMENSIONS

External dimensions: 502W x 660D x 460H mm

Internal cavity: 330W x 381D x 267H mm

### POWER SUPPLY

240V 50Hz 15A single phase

### TECHNICAL DATA

Power output:	2700W Convection, 1900W Microwave
Internal cavity volume:	34 litres
External cabinet finish:	Stainless steel
Internal cavity finish:	Stainless steel
Memory programs:	100
Power levels:	11
Product weight:	43kg
Shipping weight:	46kg
Magnetrons:	1

SPECIFICATIONS ARE SUBJECT TO CHANGE WITHOUT NOTICE.