



Blast chiller



Icecream



Conservation cycle



Thawing



Chilling programs



Ozone

Features

- Thickness insulation walls 70 mm
- AISI 304 stainless steel construction
- Hot gas defrosting and Forced ventilation
- 7" Touch control
- Functions available: Blast chilling, blast freezing, Blast freezing continuous, automatic blast chilling
- thawing - ice cream- conservation- user set programs - HACCP report alarms
- Upload and Download data with USB
- Condensing group on board

Optional

- Ozone Sanitation
- Water condensing version
- Cover for remote condensing unit
- 60Hz Versions
- Special floor H = 20 mm
- Body with removable panels



Capacity



80 kg
+90°C → +3°C



65 kg
+90°C → -18°C

1



Combi steamer trolley
GN1/1 - GN 2/1
600 x 800 mm

Predisposed **WI-FI**
connection



Features

Code number	CT20-80	CT20-80 RE	CT20-110 RE
Power supply	400V/3N/50HZ	400V/3N/50HZ	400V/3N/50HZ
Outside length	890 mm	890 mm	890 mm
Depth	1335 mm	1335 mm	1335 mm
Height	2410 mm	2410 mm	2410 mm
Max Trolley Dimensions (WxDxH)	680 x 860 x 1850 mm	680 x 860 x 1850 mm	680 x 860 x 1850 mm
Absorbed power	3900 W	475 W + 3425 W	475 W + 3900 W
Output chilling (+90°C/+3°C)	80 kg	80 kg	110 kg
Output freezing (+90°C/-18°C)	65 kg	65 kg	95 kg
Net/*Gross Weight	353 / 430 kg	255 / 332 kg	255 / 332 kg
Shipment data (WxDxH)	990 x 1532 x 2570 mm 430 kg	990 x 1532 x 2570 mm 332 kg	990 x 1532 x 2570 mm 332 kg

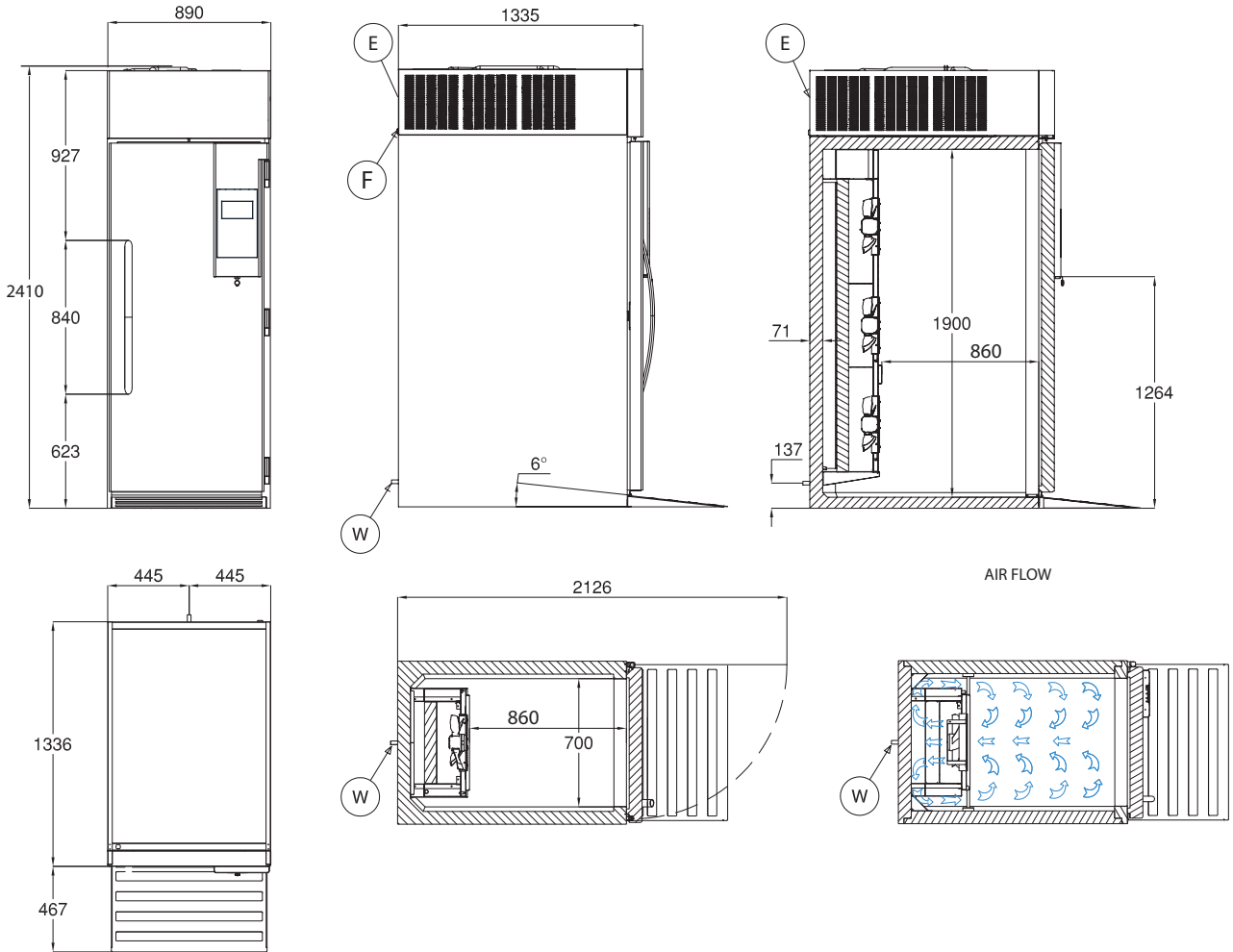
REMOTE UNIT FEATURES

No remote Unit

Remote Unit (max distance 15 m)

	No remote Unit	Remote Unit	Remote Unit
Voltage	-	400V/3N/50HZ	400V/3N/50HZ
Refrigeration Power (-20°C/+45°C)	5400 W	5400 W	7270 W
Defrost	Hot Gas	Hot Gas	Hot Gas
Cable size (5 m included)	5 x 2.5 mm	5 x 2.5 mm	5 x 2.5 mm
Diameter Discharge Pipe mm	-	12	12
Diameter Suction Pipe mm	-	22	22
Diameter Hot Gas Pipe mm	-	10	10
Refrigeration Fluid	2,5 kg R 452a (GWP=2141)	R 452a (GWP=2141)	R 452a (GWP=2141)
Shipment data (WxDxH)	-	700 x 1100 x 750 mm (170 Kg)	700 x 1100 x 750 mm (170 Kg)

Dimensions



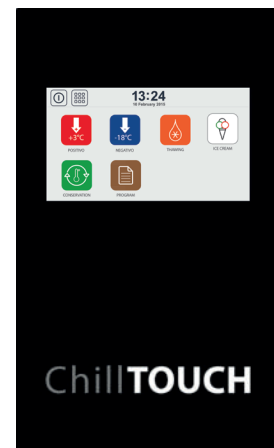
F Cable RJ45 CAT. 5 STP max 100 m **ChillTOUCH** WI-FI

W DRAINAGE DISCHARGE **E** ELECTRICAL CABLE SUPPLY

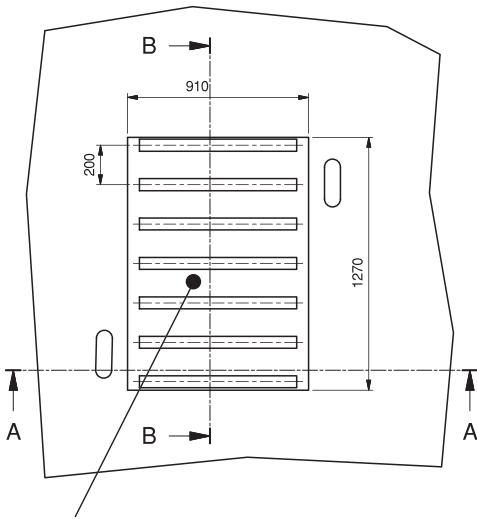
Functions

7" TOUCH INTERFACE

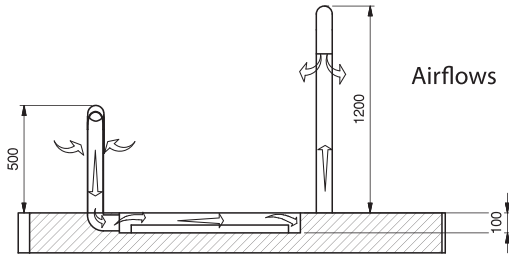
Version	Blast chiller cycles	Ice cream cycle	Conservation cycle	Thawing cycles	Ozone cycle	Hot gas defrosting	Stored Programs	Variable speed fans evaporator	Variable power resistance	Dynamic Frost Control	Load/Download data-USB
START	●	●	●	●	●	●	●	●	●	●	●
FULL	●	●	●	●	●	●	●	●	●	●	●



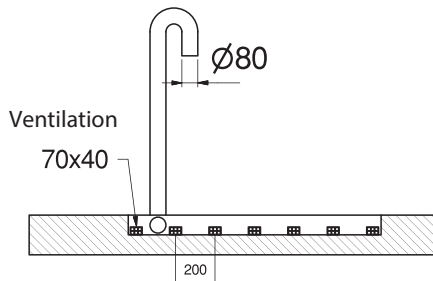
Aerated Excavation



Excavation

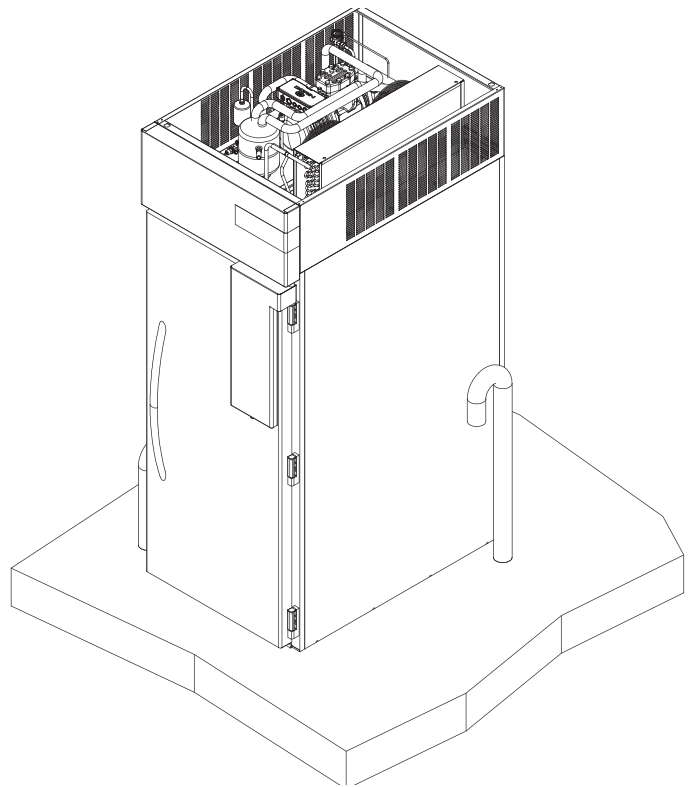
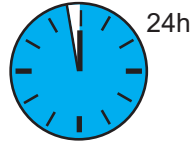


A-A

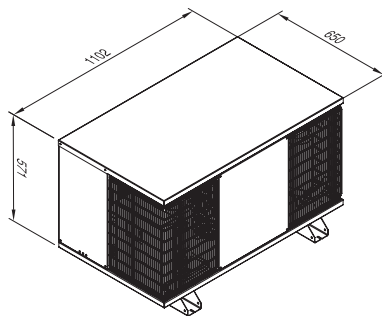
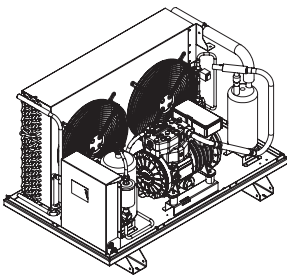


B-B

For running 24 hours a day



Remote unit features (E20.80 - E20.110)



CONDENSING UNIT WITH BOX