

AN ESSENTIAL TOOL FOR MAXIMIZING YOUR BEVERAGE PROGRAM

From smoothies to frozen cocktails, the Drink Machine Advance is an essential tool for adding or expanding a blended beverage program in any bar, restaurant, or cafe

SMART PRODUCT DESIGN

- 6 optimized programs and automatic shut-off means you can turn it on, walk away, and achieve consistent results
- Pulse Control provides off-menu flexibility to fine tune recipes
- 1.4-litre Advance container creates faster, smoother pours and has a longer blade life, resulting in time and cost savings along with improved customer experience
- ≈2.3 HP motor is designed to resist overheating when blending extra-thick ingredients, resulting in cooler operation and enhanced reliability during peak hours
- Sturdy controls provide improved grip/reliability during peak hours of operation



STANDARD FEATURES:

- Advance Blade
- 1.4 litre high impact clear container
- 6 setting dial switch
- 6 x optimise programs
- Pulse switch

PACK INCLUDES:

Drink Machine Advance® with 1.4 litre high-impact, clear/stackable Advance® container, complete with Advance blade assembly and lid, and black base



Three year parts and one year labour warranty on motor and base. One year warranty on the container, lid, blade assembly, drive socket and sound enclosure against defects in material and workmanship.

DIMENSIONS

191W x 222D x 451H mm

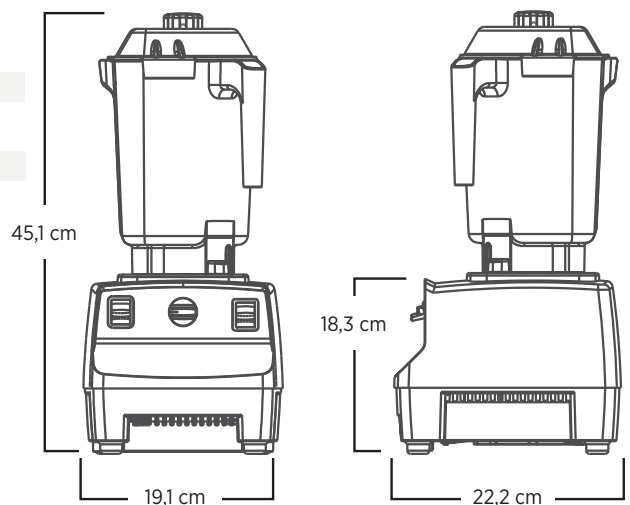
TECHNICAL DATA

Power Supply: 240V, 50Hz, 10A

Power Output: 750W-850W

Motor: ≈ 2.3HP

Weight: 5.23kg



SPECIFICATIONS ARE SUBJECT TO CHANGE WITHOUT NOTICE.