

**STAR 90 SERIES 800MM WIDE
80-LITRE GAS BRATT PAN
MANUAL TILT, STAINLESS STEEL BASE**

Gas tilting bratt pan constructed in AISI 304 stainless steel. Cooking tank with manual tilt mechanism, constructed in stainless steel, 80-litre capacity, rectangular in shape with radiused corners for ease of cleaning, bottom in 10 mm thick Duplex.

Double skinned lid with drip zone at rear for conveying condensate liquid into the pan, fitted with sturdy AISI 304 stainless steel hinges with spring balancing. Automatic water loading operated by pushbutton. Fixed water tap located on top. Satin-finish AISI 304 tubular steel handle with front grip, joined to lid. Heating by means of steel burner with stabilized flame underneath the tank, gas safety valve with thermocouple. Electric pilot burner ignition operated by gas valve pushbutton. Thermostatic temperature control from 100° to 280 C°. Safety thermostat. Orange indicator light on control panel indicates appliance operation. Heating automatically turned off when pan is tilted. Height adjustable feet in stainless steel. IPX5 protection rating.

STANDARD FEATURES

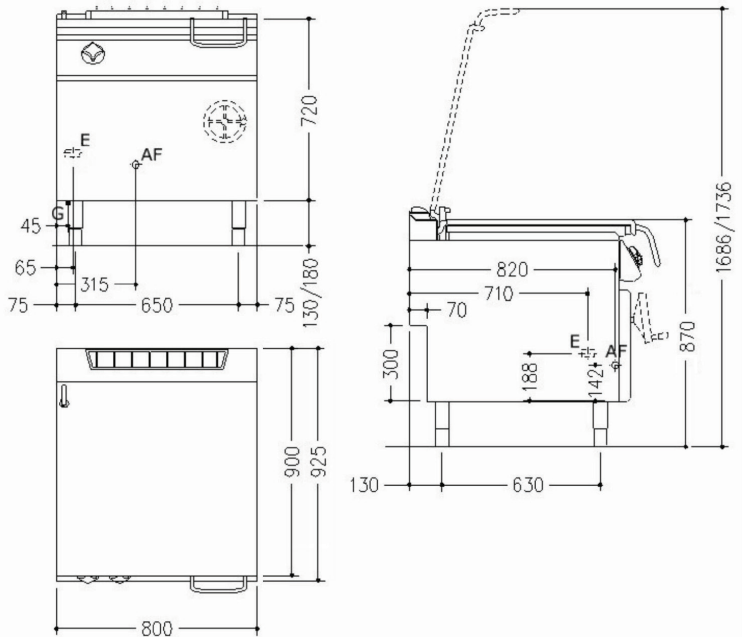
- 2 mm thick pressed stainless tops
- IPX5 water protection
- Modular design
- Interlocking device supplied with all units
- Space at rear for connections
- Flame failure and standing pilot light
- Natural to Propane gas conversion kit
- External gas regulator supplied (specify gas type)

OPTIONAL FEATURES

- Castor kit
- Flexible gas hose with quick disconnect



DIMENSIONS	
900D x 800W x 870H mm	
Tank Dimensions: 770 x 710 x 200H mm	
Plate Dimensions: 580D x 726W mm	
TECHNICAL DATA	
Gas Type: Natural or Propane	
Total Output (Gas): Natural Gas - 71.9MJ/h Propane Gas - 68.5MJ/h	
Gas Connection: 1/2"	
Power Supply: VAC230 50Hz (Cable & Plug not included)	
Total Output (electric): 0.2kW	
Water Connection: 1/2" cold water	
AGA approval number: 7412	
SHIPPING DATA	
Net Weight: 146kg	
Shipping Weight: 160kg	
Shipping Dimensions: 1020W x 850L x 1100H mm	
SPECIFICATIONS ARE SUBJECT TO CHANGE WITHOUT NOTICE.	



LEGEND

- AF = Cold Water - 1/2"
- E = Socket
- G = Gas - 1/2"