

STAR 70 SERIES 800MM WIDE
GAS LAVA BBQ GRILL

Counter-top lava rock grill in AISI 304 stainless steel. Heated by stable-flame steel burners with pilot burner and safety thermocouple. Two independent cooking zones. Gas supply controlled by gas tap with safety valve. The cooking grill has two height settings to ensure optimum grilling. Removable grease collection tray for easy cleaning. Supplied with rod grill.

STANDARD FEATURES

- 1.5mm thick pressed stainless steel tops
- Modular design
- Interlocking device supplied with all units
- Flame failure and standing pilot light
- Natural to Propane gas conversion kit
- External gas regulator supplied (specify gas type)
- Supplied with rod grill

OPTIONAL FEATURES

- Cabinet base and doors
- Hygienic cabinet base with pressed runners
- Refrigerated base
- 50mm stainless steel frame for worktop installed on refrigerated base or countertop
- Flexible gas hose with quick disconnect



DIMENSIONS

External: 730D x 800W x 250H mm

TECHNICAL DATA

Gas Type: Natural or Propane

Total Output (Gas): Natural Gas - 77MJ/h Propane Gas - 70MJ/h

Gas Connection: 1/2"

AGA approval number: 6710

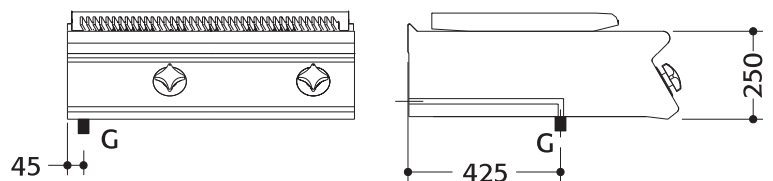
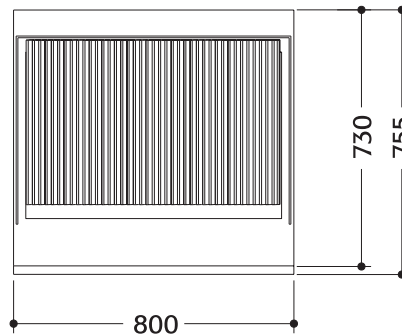
SHIPPING DATA

Net Weight: 78kg

Shipping Weight: 88kg

Shipping Dimensions: 830W x 840L x 550H mm

SPECIFICATIONS ARE SUBJECT TO CHANGE WITHOUT NOTICE.



LEGEND

G = Gas