



GENERAL CHARACTERISTICS

- Nominal content: 150, 200, 250 and 300 litre
- Kettle bowl in 316 acid resistant steel, all other parts in 304 stainless steel
- Full welded, insulated kettle body with etched volume markings
- Working pressure: 1,0 bar
- Max. steam temperature: 120° C
- Adjustable, vertical control box with IPX6 protection class
- Integrated isolator switch
- Pressure gauge
- Tilting height: Min. 600 mm from floor to bottom of pouring lip
- Unheated top for lower energy waste and better comfort
- Hinged easy open/close lid with gas-spring and ergonomic lid arm
- Lid made from stainless steel
- Safety device to prevent tilting with a closed lid
- Electric tilt with adjustable TiltBack
- Error codes for user errors and appliance faults
- Maximum temperature on the outside of the kettlebowl after 3 hours cooking: <40° C
- Working height: 900 mm
- Automatic filling of water in the steam generator
- Spray gun

CONTROL AUTO TEMP 32

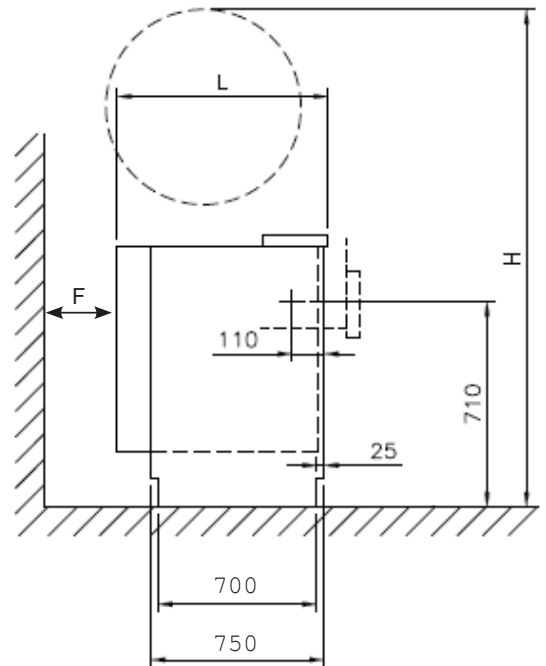
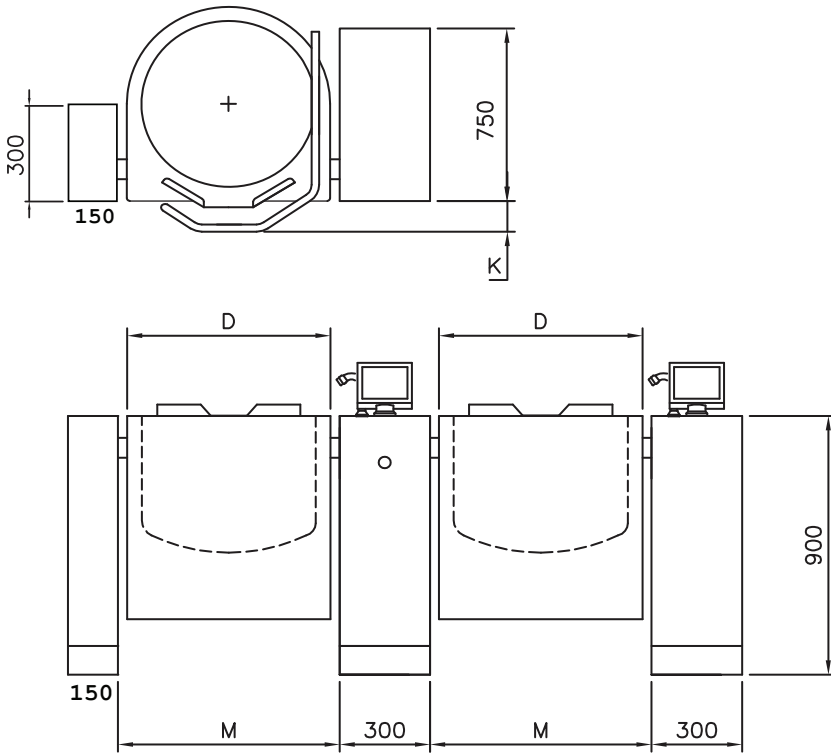
- Electronic control of the jacket temperature
- Timer for cooking time/hour
- Clock
- Electronic water flow meter with drip-free spout
- Access code can be selected
- Two sets of arrow keys for fast, precise setting

OPTIONS

- Connection for Power-Management-System
- Rotatable lid
- Drain valve/ Butterfly valve

VARIANTS

- Can be built together with Multi, MultiMix and OptiMix
- Mounting pillar to the left



Product Code	Type	Dimensions							Electric Version			Water			
		C (mm)	D (mm)	H (mm)	K (mm)	L (mm) 750 pillar	M (mm)	F (mm)	Nom/brim volume (L)	Weight (kg)	Rated Power (kW)	Current consumption (A)	Time to boil 10-90°C (min)	COLD	HOT
AU101011	Opti 150	20	792	1944	125	832	892	790	150/169	393	30	3x43	28	1/2", 1.5-6 bar	1/2", 1.5-6 bar
AU101013	Opti 200	20	842	1971	125	882	942	871	200/222	422	30	3x43	38		
AU101015	Opti 250	20	940	2050	125	980	1040	946	250/278	514	45	3x65	31		
AU101017	Opti 300	20	1040	2130	125	1080	1140	1024	300/334	574	45	3x65	38		

SPECIFICATIONS ARE SUBJECT TO CHANGE WITHOUT NOTICE. Drawing and mounting can not be made from these data alone. Further measurements, other voltages and connections and information about electrics, water, steam, compressed air and special conditions regarding leakage current is available in the complete technical data.