



# EASY

## ELECTRIC KETTLE - NON MIXING

### GENERAL CHARACTERISTICS

- Nominal content: 40, 60, 80, 100, 120 litre
- Kettle bowl in 316 acid resistant steel, all other parts in 304 stainless steel
- Full welded, insulated kettle body with etched volume markings
- Working pressure: 1,0 bar
- Max. steam temperature: 120° C
- Integrated isolator switch
- Pressure gauge
- Tilting height: min. 400mm from floor to bottom of pouring lip
- Unheated top for lower energy waste and better comfort
- Hinged lid easy to open/close and with ergonomic lid arm
- Lid made from stainless steel
- Max temp. on the outside of the kettle bowl after 3 hours cooking: <40°C
- Working height: 900 mm
- Electrically automatic filling of water in the steam generator
- Spray gun

### CONTROL AUTO TEMP 02E

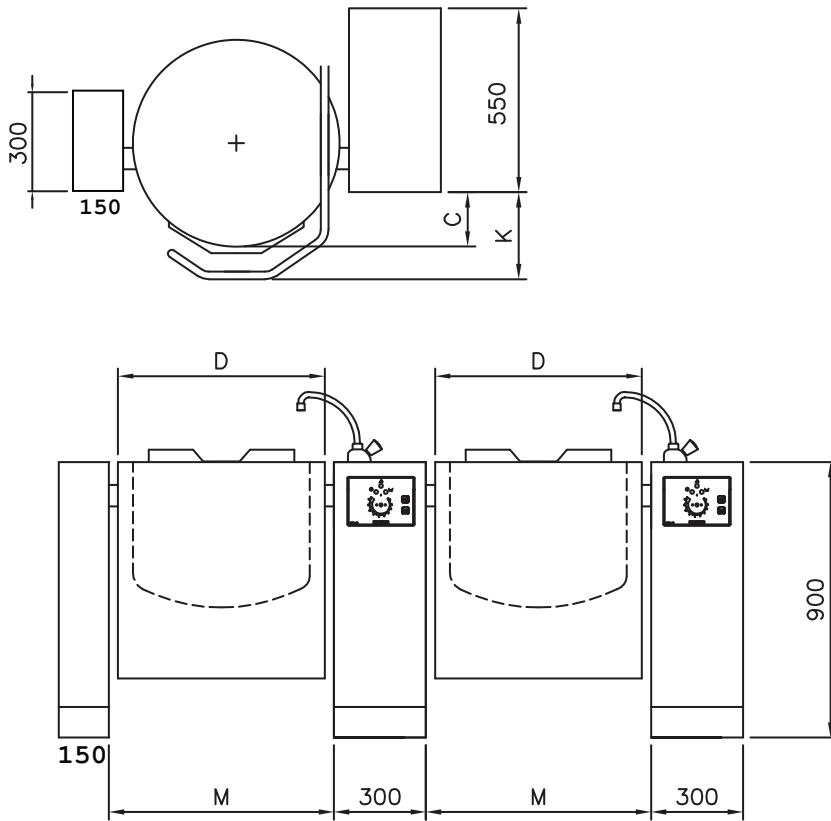
- Electronic heat control by means of dial knob
- Filling of water into the kettle via cold water tap
- Indicator light for kettle in use
- Indicator light to indicate excessive pressure in the kettle/ overheating of the heating elements

### OTHER OPTIONS

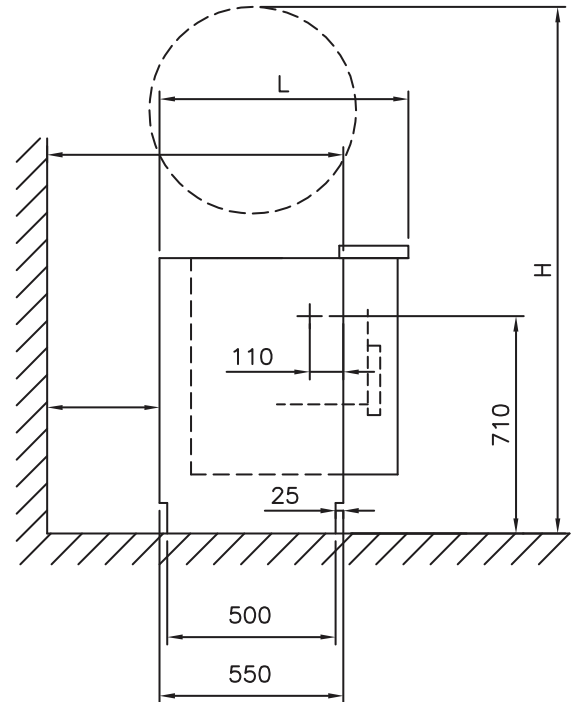
- Drain valves/Butterfly valves
- Rotatable lid

### VARIANTS

- Can be built together with Easy and EasyMix
- Mounting pillar to the left



AutoTemp 02e



Product Code	Type	Dimensions								Electric			Water	
		C (mm)	D (mm)	H (mm)	K (mm)	L (mm) 550 pillar	M (mm)	Nom/brim volume (L)	Weight (kg)	Rated Power (kW)	Current consumption (A)	Time to boil 10-90°C (min)	COLD	HOT
AU109001	Easy 40	113	546	1750	248	683	606	40/48	177	15	3x22	15	1/2", 1.5-6 bar	1/2", 1.5-6 bar
AU109002	Easy 60	138	595	1784	273	708	655	60/70	199	15	3x22	23		
AU109003	Easy 80	153	625	1822	288	723	685	80/91	208	15	3x22	30		
AU109004	Easy 100	178	675	1849	313	748	735	100/113	217	20	3x29	28		
AU109005	Easy 120	178	675	1849	313	748	735	120/133	247	20	3x29	34		

SPECIFICATIONS ARE SUBJECT TO CHANGE WITHOUT NOTICE. Drawing and mounting can not be made from these data alone. Further measurements, other voltages and connections and information about electrics, water, steam, compressed air and special conditions regarding leakage current is available in the complete technical data.