



EASYMIX

ELECTRIC KETTLE WITH INTEGRATED STIRRER

GENERAL CHARACTERISTICS

- Nominal content: 40, 60, 80, 100, 120, 150 litre
- Kettle bowl in 316 acid resistant steel, all other parts in 304 stainless steel
- Full welded, insulated kettle body with etched volume markings
- Working pressure: 1,0 bar
- Max. steam temperature: 120° C
- Adjustable, vertical control box with IPX6 protection class
- Integrated isolator switch
- Pressure gauge
- Tilt height : min. 400mm from floor to bottom of pouring lip
- Unheated top for lower energy waste and better comfort
- Hinged easy open/close lid with gas-spring and ergonomic lid arm
- Lid made from stainless steel with inspection hole
- Safety device to prevent tilting with a closed lid
- Electric tilt with adjustable TiltBack
- Error codes for user errors and appliance faults
- Maximum temperature on the outside of the kettle bowl after 3 hours cooking: <40° C
- Working height: 900 mm
- Automatic filling of water in the steam generator
- Spray gun

VARIANTS

- Can be built together with Easy
- Possibility to have mounting pillar to the left

STIRRER

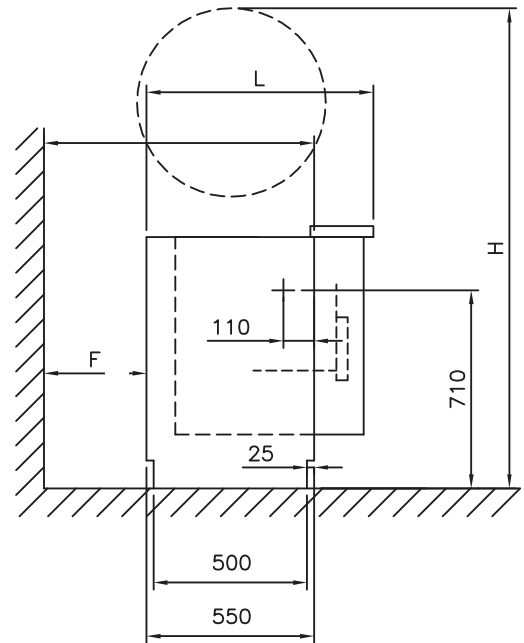
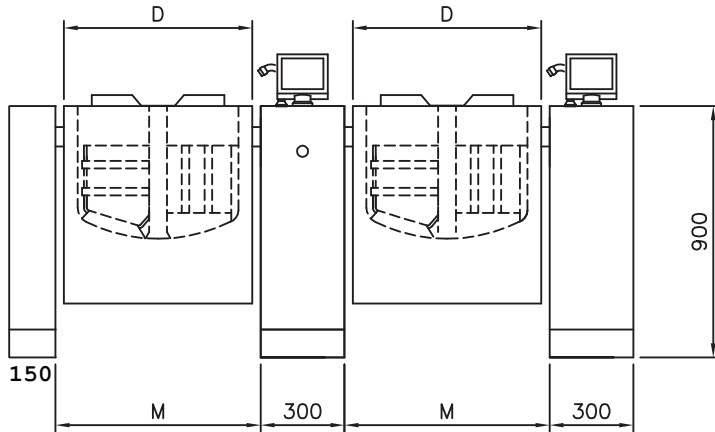
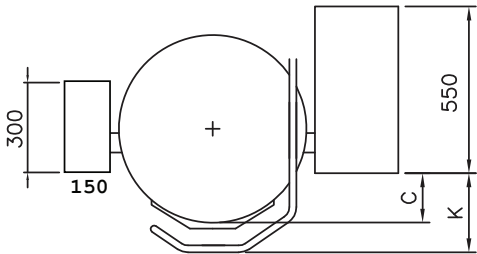
- Fully integrated stainless steel stirrer
- 5-140 rpm
- Easy removable scrapers made from synthetic food approved materials
- Slow acceleration/deceleration for improved safety
- Fast stopping of stirrer when lid is opened
- Stirrer is protected against overload
- Noise level in use: less then 55 dB

CONTROL AUTO TEMP 36

- Time controlled waterfilling
- Electronic control of jacket temperature
- 7 dynamic stirring patterns with reversal and variable speeds
- Timer for cooking time/hour
- Real time clock
- PowerMix
- WaterLevelAutomatic
- Access code can be selected
- Two sets of arrow keys for fast, precise setting

OPTIONS

- Watermeter for accurate water amounts
- Connection for Power-Management-System
- Temperature sensor collection of temperature data
- SlowMix with adjustable tilting speed
- Drain valve/ Butterfly valve
- Rotatable lid



Product Code	Type	Dimensions									Electric			Water	
		C (mm)	D (mm)	F (mm)	H (mm)	K (mm)	L (mm) 550 pillar	M (mm)	Nom/brim volume (L)	Weight (kg)	Rated Power (kW)	Current consumption (A)	Time to boil 10-90°C (min)	COLD	HOT
AU110001	EasyMix 40	113	546	475	1750	248	683	606	40/48	202	15.75	22/22/32	15	1/2", 1.5-6 bar	1/2", 1.5-6 bar
AU110002	EasyMix 60	138	595	475	1784	273	708	655	60/70	226	15.75	22/22/32	23		
AU110003	EasyMix 80	153	625	500	1822	288	723	685	80/91	242	15.75	22/22/32	30		
AU110004	EasyMix 100	178	675	531	1849	313	748	735	100/113	257	20.75	29/29/39	28		
AU110005	EasyMix 120	178	675	594	1849	313	748	735	120/133	268	20.75	29/29/39	34		

SPECIFICATIONS ARE SUBJECT TO CHANGE WITHOUT NOTICE. Drawing and mounting can not be made from these data alone. Further measurements, other voltages and connections and information about electrics, water, steam, compressed air and special conditions regarding leakage current is available in the complete technical data.