



EASYSTAND

ELECTRIC KETTLE ON A STAND

GENERAL CHARACTERISTICS

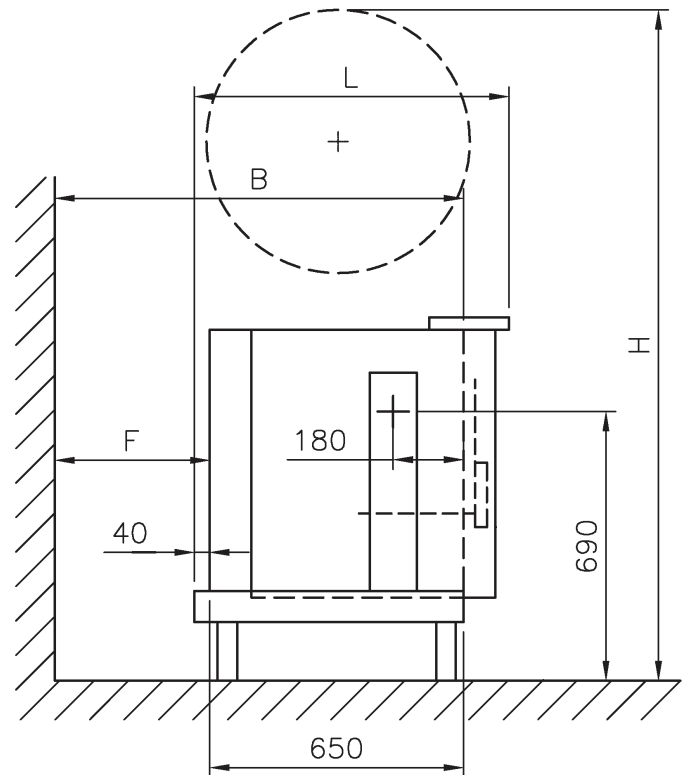
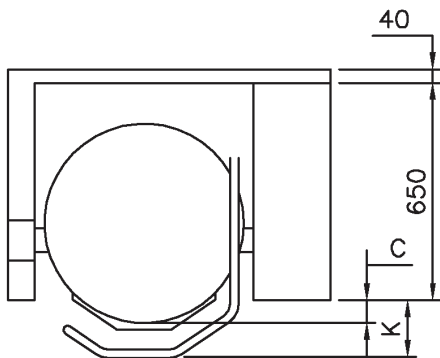
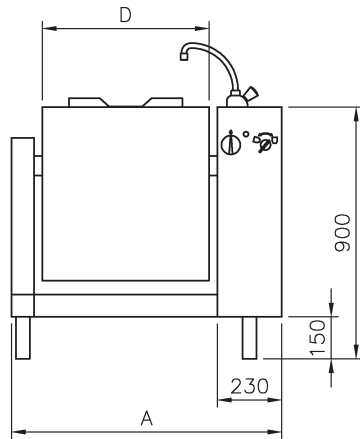
- Nominal content: 40, 60, 80, 100 and litres
- Kettle bowl in 316 acid resistant steel, all other parts in 304 stainless steel
- Fully welded, insulated kettle body with a volume scale inside the kettle
- Working pressure: 1,0 bar
- Max. steam temperature: 120° C
- Integrated isolator switch
- Pressure gauge
- Unheated top for lower energy waste and better comfort
- Hinged easy open/close lid with an ergonomic lid arm
- Lid made from stainless steel
- Maximum temperature on the outside of the kettle bowl after 3 hours cooking: <40°C
- Working height: 900 mm
- Electrically heated kettles have automatic filling of water in the steam generator
- Spray gun

CONTROL AUTOTEMP 02 E

- Electronic heat control with turning knob
- Water filling into the kettle with cold water dispenser
- Automatic water filling into the steam generator when water level is low
- Indicator light for kettle in use
- Indicator light to indicate excessive pressure in the kettle/ overheating of heating elements

OTHER OPTIONS

- Drain valve/ Butterfly valve
- Rotatable lid



| Product Code | Type | Dimensions | | | | | | | | | Electric | | | Water | | |
|--------------|---------------|------------|--------|--------|--------|--------|--------|--------|--------|---------------------|-------------|------------------|-------------------------|----------------------------|--------------------|--------------------|
| | | A (mm) | B (mm) | C (mm) | D (mm) | F (mm) | H (mm) | K (mm) | L (mm) | Nom/Brim volume (L) | Weight (kg) | Rated Power (kW) | Current consumption (A) | Time to boil 10-90°C (min) | COLD | HOT |
| AU111001 | EasyStand 40 | 916 | 750 | 43 | 546 | 100 | 1728 | 178 | 753 | 40/48 | 136 | 15 | 3x22 | ca. 15 | 1/2", 1.5-6 bar | 1/2", 1.5-6 bar |
| AU111002 | EasyStand 60 | 965 | 774 | 68 | 595 | 124 | 1779 | 203 | 778 | 60/70 | 148 | 15 | 3x22 | ca. 23 | | |
| AU111003 | EasyStand 80 | 995 | 829 | 83 | 625 | 179 | 1800 | 218 | 793 | 80/91 | 167 | 15 | 3x22 | ca. 30 | | |
| AU111004 | EasyStand 100 | 1045 | 860 | 108 | 675 | 210 | 1830 | 243 | 818 | 100/113 | 172 | 20 | 3x29 | ca. 28 | | |

SPECIFICATIONS ARE SUBJECT TO CHANGE WITHOUT NOTICE. Drawing and mounting can not be made from these data alone. Further measurements, other voltages and connections and information about electrics, water, steam, compressed air and special conditions regarding leakage current is available in the complete technical data.