



Blast chiller



-18°C



Icecream



Conservation cycle



Thawing



Chilling programs



Ozone

Features

- Thickness insulation walls 70 mm
- AISI 304 stainless steel construction
- Hot gas defrosting and Forced ventilation
- 7" Touch control
- Functions available: Blast chilling, blast freezing, Blast freezing continuous, automatic blast chilling - thawing - ice cream- conservation- user set programs - HACCP report alarms
- Upload and Download data with USB
- Condensing unit with box

Optional

- Ozone Sanitation
- Water cooled condenser
- 60Hz versions
- Special floor H22 mm
- Without condensing unit
- Soundproof condensing unit
- Additional door (pass through)



Capacity

CT30-110



110 kg

+90°C → +3°C



95 kg

+90°C → -18°C



600 x 800 mm
Combi steamer trolley

GN 2/1

Predisposed **WI-FI** connection



CT30-140



140 kg

+90°C → +3°C



125 kg

+90°C → -18°C



600 x 400 mm

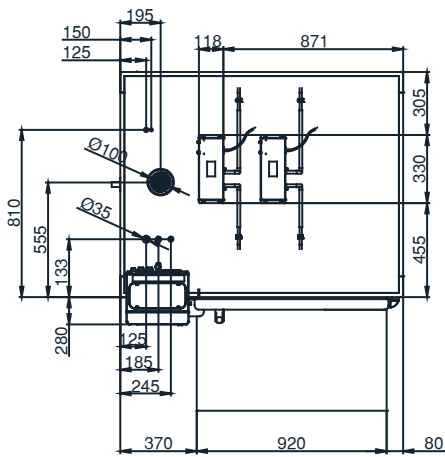
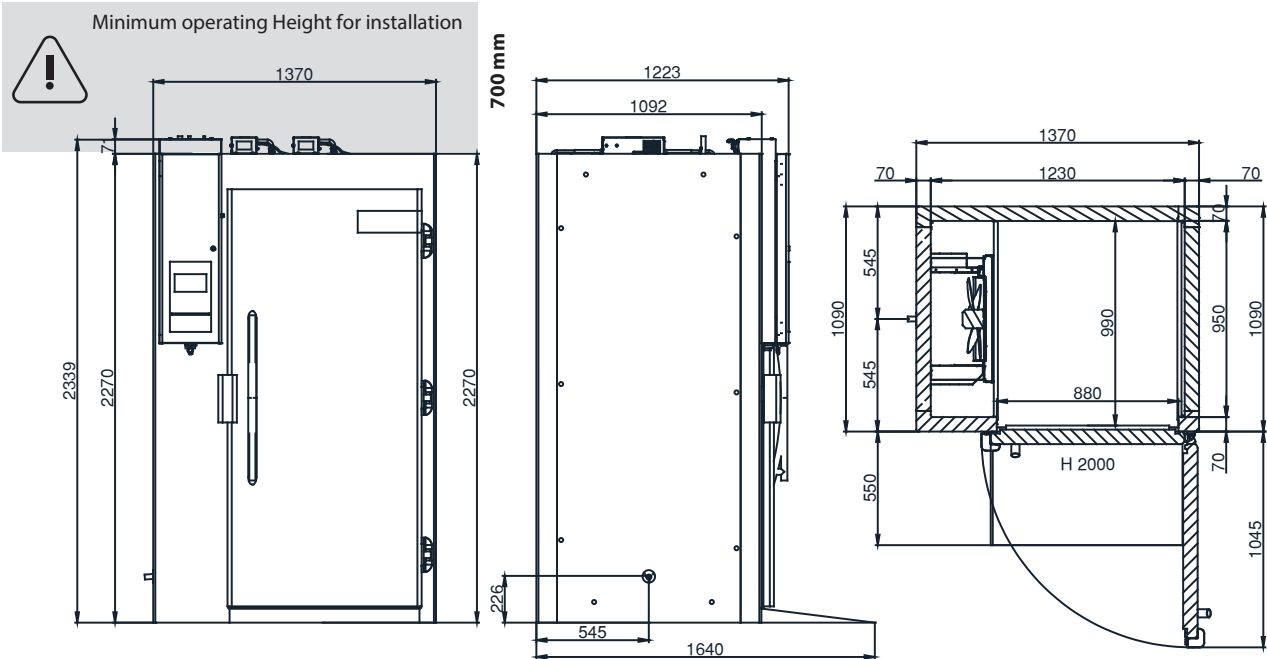
Features

	CT30-110	CT30-140	CT30 CT-C
Code number			
Power supply	400V/3N/50HZ	400V/3N/50HZ	230V/1N/50HZ
Outside length	1370 mm	1370 mm	1370 mm
Depth	1210 mm	1210 mm	1210 mm
Height	2274 mm	2274 mm	2274 mm
Absorbed power / Max Current	5700 W / 19A	6500 W / 22A	1400 W / 6A
Cable size	5 x 2,5 mm ²	5 x 4,0 mm ²	3 x 2,5 mm ²
Output chilling (+90°C/+3°C)	110 kg	140 kg	---
Output freezing (+90°C/-18°C)	95 kg	125 kg	---
Cabinet Shipment data	cm / kg	cm / kg	cm / kg
	245 x 146 x 112 mm / 450 kg	245 x 146 x 112 mm / 450 kg	245 x 146 x 112 mm / 450 kg

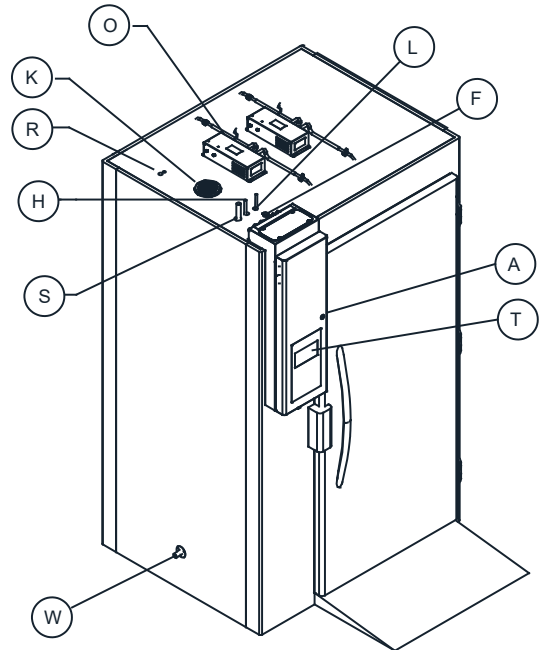
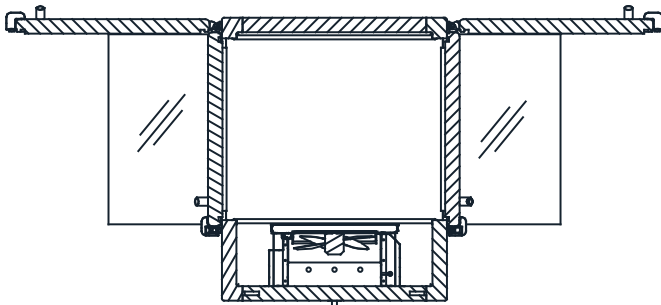
REMOTE UNIT FEATURES (max distance 10 m)

Refrigeration Power (-20°C/+40°C)	8310 W - 4 HP	10970 W - 5,5 HP	
Defrost	Hot Gas	Hot Gas	
Diameter Discharge Pipe mm	12	12	
Diameter Suction Pipe mm	28	28	(without C.U.)
Diameter Hot Gas Pipe mm	10	10	
Refrigeration Fluid	R452a / R404A	R452a / R404A	
C.U. Shipment data	cm / kg	cm / kg	
	80 x 155 x 70 (270 Kg)	95 x 160 x 85 (310 Kg)	

Dimensions



Second Door Optional



- O Ozone Box
- H Hot gas line
- W Water discharge Ø 20 mm
- K Compensazione valve
- S Suction gas line
- A Electric Box
- R Cables outlet
- L Liquid line
- T Touch Panel 7"
- F Wi-Fi Connection

⚠ Cable RJ45 CAT. 5 STP max 100 m

↓

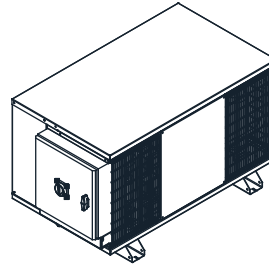
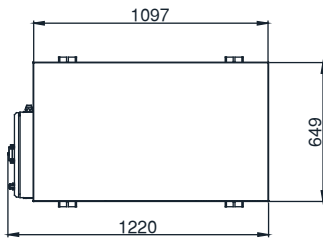
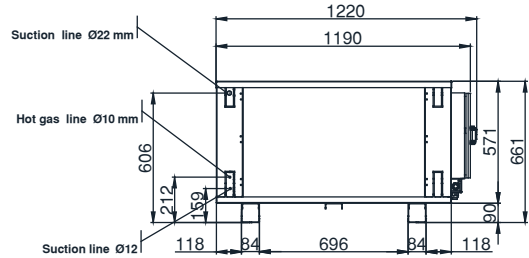
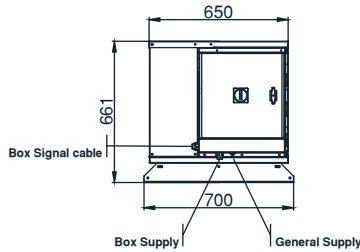
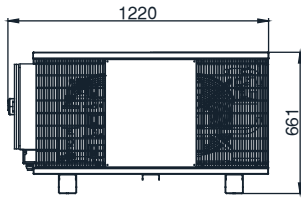
📶

Chill TOUCH

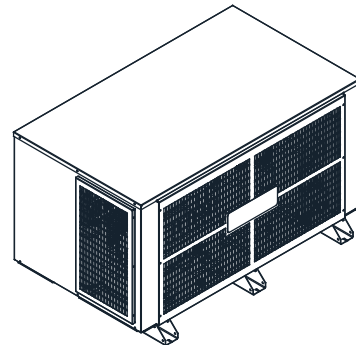
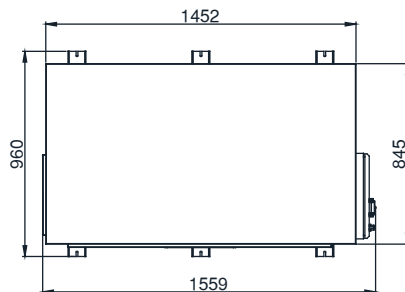
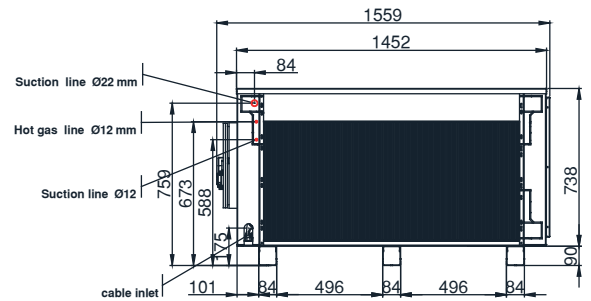
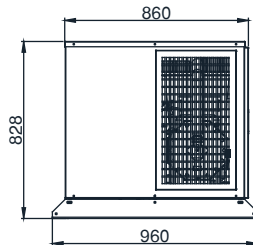
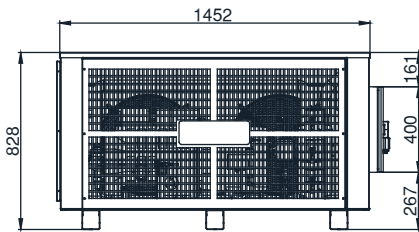
WI-FI

Condensing Unit

4 HP



5,5 HP



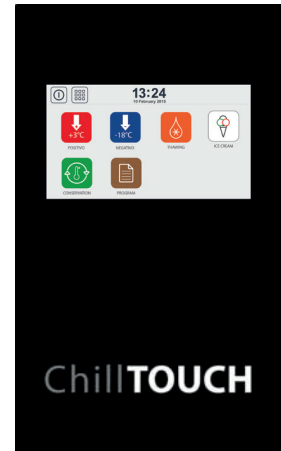
Functions

Version	Blast chiller cycles	Ice cream cycle	Conservation cycle	Thawing cycles	Ozone cycle	Hot gas defrosting	Stored Programs	Variable speed fans evaporator	Variable power resistance	Dynamic Frost Control	Load/Download data-USB
START	●	●	●	●		●	●			●	●
FULL	●	●	●	●	●	●	●			●	●

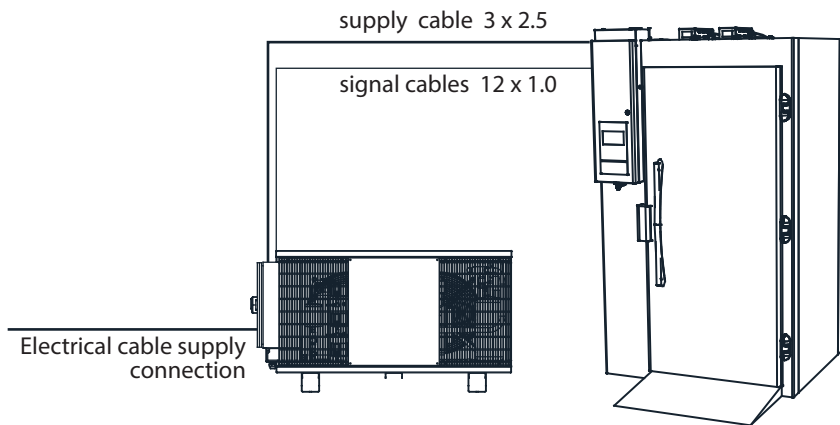
7" TOUCH INTERFACE



Predisposed **WI-FI** connection



Electrical connections



Machine delivered without condensing unit

Disclaimer Clause

Castelmac guarantees only the good functioning of the components of the machine. It's excluded from the warranty:- the cooling performance of the machine malfunctioning or damages due to the partial or not complete connection of the machine with the central cooling unit or the not original condensing unit. In particular there is no warranty on damages on the machine due to the missed connection of the alarm input which stops the machine in case of alarm coming from the central cooling unit or the non original condensing unit. Hot gas defrosting available only if hot gas supplied (distance < 25 m). Alternative air defrosting available from control panel.

Connection to condensing unit NOT supply by Tecnomac

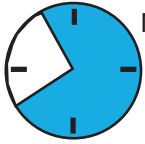
- Output signal supplied for switch on compressor
- Output signal supplied for switch on hot gas valve (if present)
- Input signal available for alarm coming from the condensing unit, which stops the machine

Connection to central cooling unit

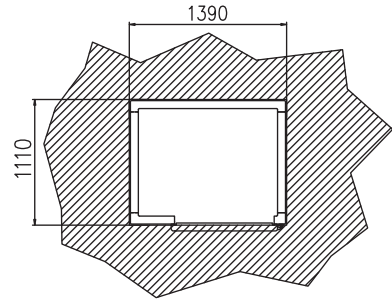
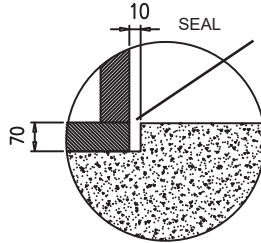
- Blast Freezing function must be disabled (do not work)
- Use the freezing line (-28°C / -30°C Evaporation)
- Output signal supplied for liquid line valve control (valve not supplied)
- Input signal available for general alarm from the central cooling unit, which stops the machine

Aerated Excavation

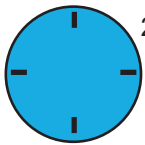
For running , less than 16 hours a day



MAX 16h



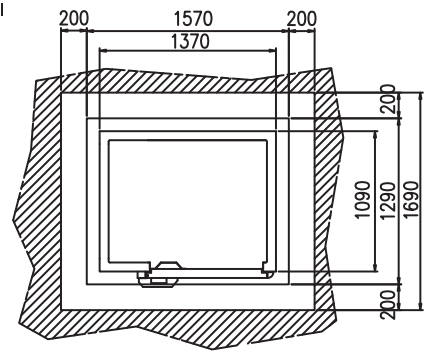
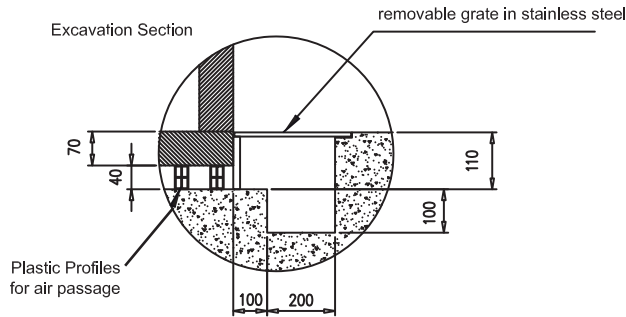
For running 24 hours a day with removable gate



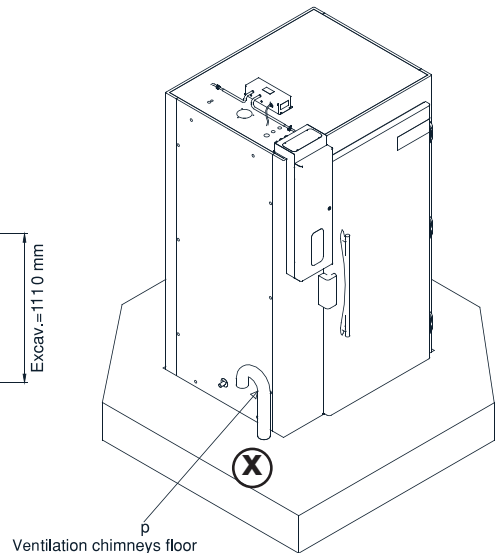
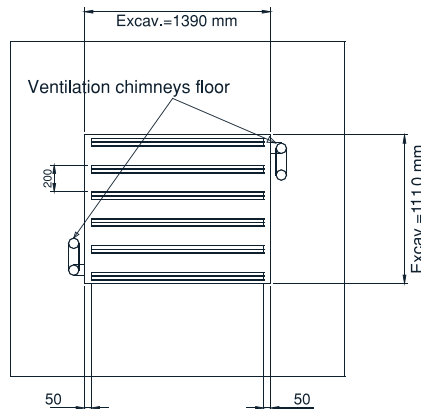
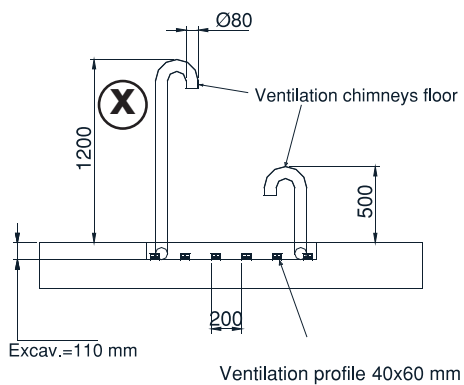
24h



Excavation example



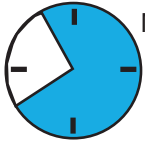
For running 24 hours a day with ventilation chimneys



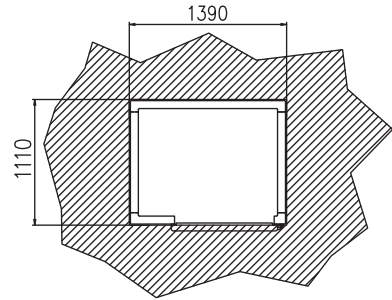
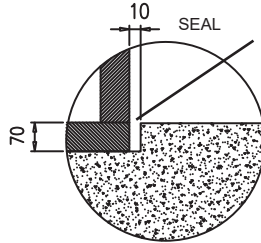
Masonry work and chimneys, charged to the customer.

Aerated Excavation

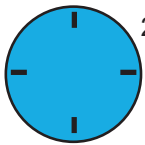
For running , less than 16 hours a day



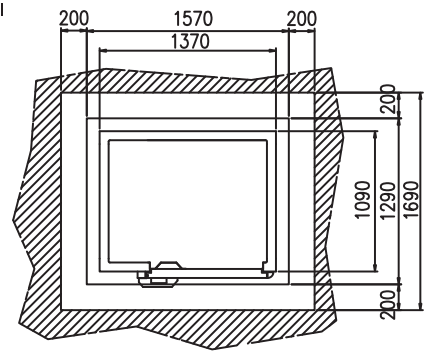
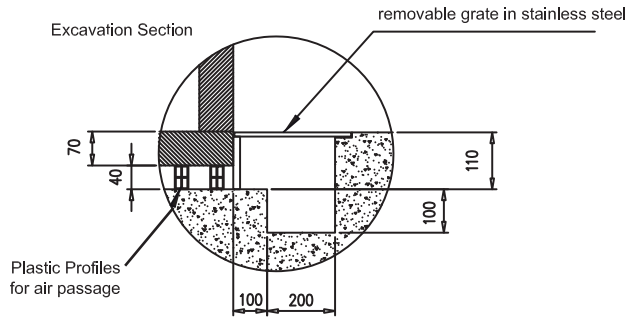
MAX 16h



For running 24 hours a day with removable gate

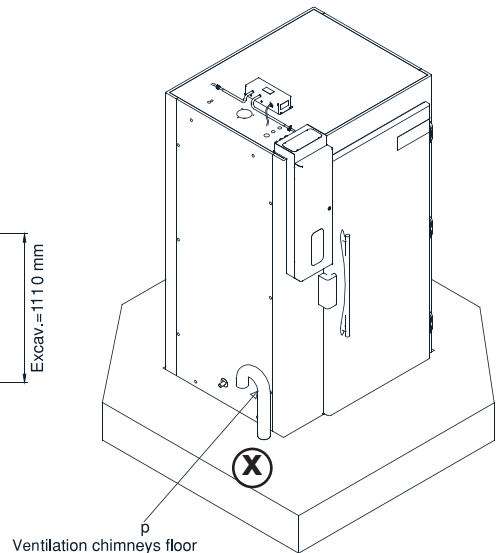
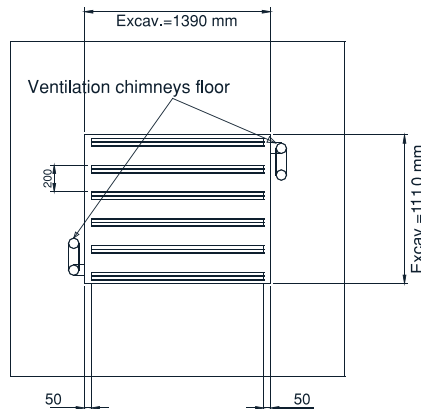
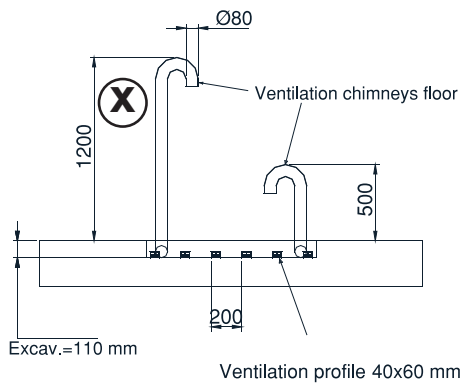


24h



Excavation example

For running 24 hours a day with ventilation chimneys



Masonry work and chimneys, charged to the customer.