

PROPER HAND WASHING PROCEDURES

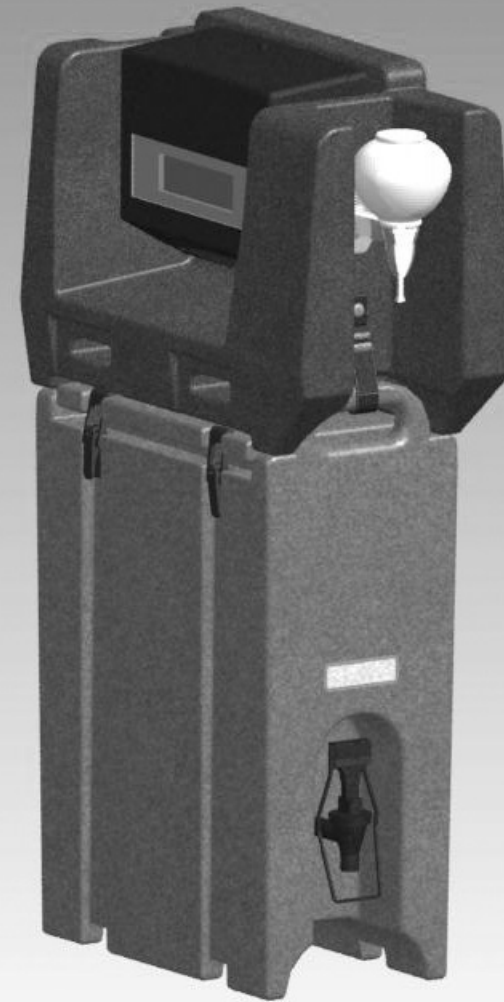
- Use soap and warm water. Recommended water temperature: 105°F (40,6°C).
- Rub hands vigorously with soap for 20 seconds.
- Wash all surfaces, including:
 - ◆ Backs of hands
 - ◆ Wrists
 - ◆ Between fingers
 - ◆ Under fingernails
- Use a nailbrush around and under fingernails.
- Rinse well.
- Dry hands with paper towel.
- Hands should always be washed after using the bathroom, coughing, sneezing, touching any kind of soiled or dirty objects or surfaces.

If working in the preparation of food items follow the additional steps listed below:

- Before and after touching raw poultry, meats or fish, shell eggs and fresh produce.
- After touching dirty dishes, equipment and utensils.
- After using cleaners or chemicals.
- After touching trash, floors, soiled linens, etc.
- After touching head, hair, mouth, wounds, or sores.
- After performing personal needs, eating, smoking, etc.

REPLACEMENT PARTS: Call Cambro Customer Service at 800-854-7631 or Fax Order to 1-714-842-3430 or Contact Your Local Cambro Rep or Distributor.

HANDWASH ACCESSORY



Camtainer with HWATD -
Handwash Accessory with
Paper Towel Dispenser



Camtainer with HWAPR -
Handwash Accessory with
Paper Towel Roll Holder

**Fits these Camtainer®
and Ultra Camtainer® Models:**

Camtainers®	Ultra Camtainers®
250LCD*	UC250*
500LCD**	UC500**

Capacity
*2½ gal. (9,5 L)
**5 gal. (19 L)



Camtainers & Ultra Camtainers Only

ASSEMBLY AND USE

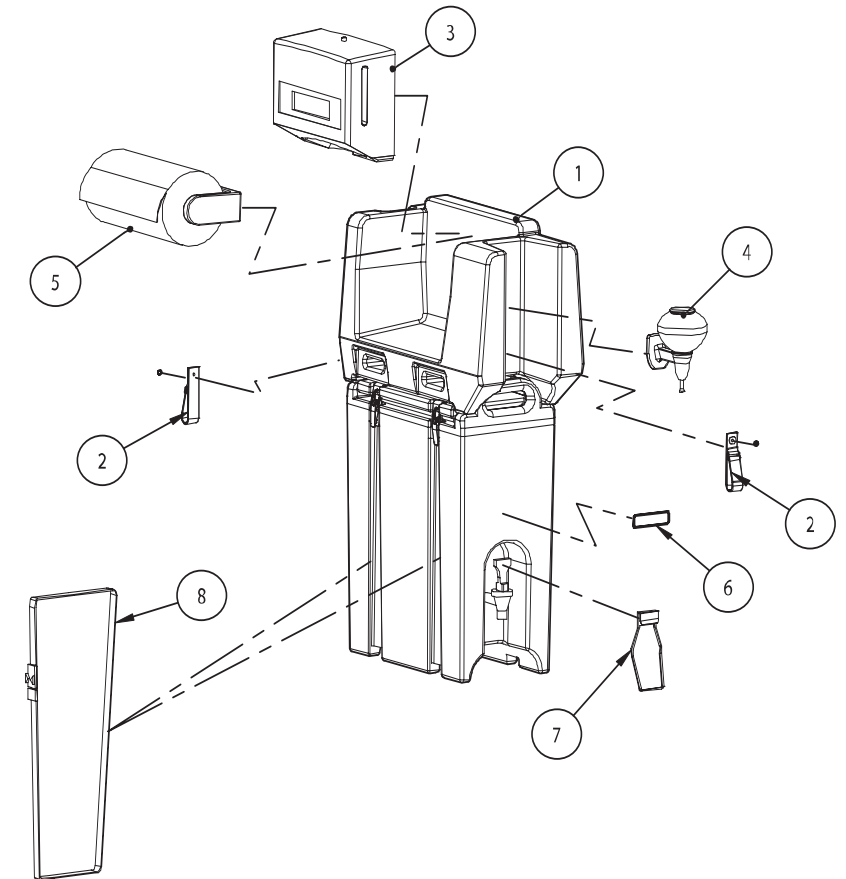
- Pre-heat container, then fill with hot water, not less than 105°F (40,6°C).
- Place Handwash Accessory on top of container. Run each cinchstrap under the handle and up and through the buckle. Pull to tighten and secure to velcro.
- Install paper towels in plastic dispenser or attach paper towel roll.
- Fill soap dispenser bottle and twist up onto the mount arm bracket.
- Place "Handwashing Only" label on container just above the faucet in the smooth window area provided. This is to clearly identify that the container is for handwashing.
- Place the dispensing lever (LCDES) onto the faucet lever with the bend of the bail lever facing outward so that when you push forward on the lever, water is released through the faucet.
- For extra stability on table or counter edge, Riser Accessory (R500LCD) recommended when using handwash accessory with Ultra Camtainers® UC250 and UC500. (Not required for use with Camtainers® 250LCD and 500LCD.)
- Pail with Bail (PWB22) recommended to catch and contain used water. Place directly under faucet. 5½ gallon (20,8 L) capacity.

CARE AND MAINTENANCE

- Wash unit after each use with warm soapy water and a soft cloth.
- Rinse out the soap container with warm water. The dispensing pin of the bottle assembly should be cleaned daily with a clean wet cloth.
- Never use wirebrush, abrasive cleaners, strong detergents or steel wool when cleaning any of the unit components.
- If any staining occurs on the body section, use any standard destainer such as: "Dip It," Wyandotte's "Salute" or American Dietary Product's "Ware Dip."

PRODUCT COMPONENTS

- 1 Handwash Unit
- 2 Cinchstraps (For Units After 01/05)
- 3 Folded Paper Towel Dispenser* (included with HWATD model, mounted on unit, push button, no key)
- 4 Soap Dispenser
- 5 Paper Towel Roll Holder* (included with HWAPR model, mounted on unit inside wall)
- 6 Easy Serve Dispenser Lever
- 7 Handwashing Only Label (set of 4 included with each unit)
- 8 Quick Release Straps (For Units Before 01/05)



*Flat towels and paper towels not included.
(Multi-fold towels recommended for Paper Towel Dispenser)

REPLACEMENT PARTS

REPLACEMENT PART NUMBER	DESCRIPTION	COMPONENT REFERENCE NUMBER (see above)
60214	1 - Soap Dispenser, 3 - Screws (45207)	4
60443	1 - Plastic Towel Dispenser, 4 - Screws and Mollies	3
60429	1 - Paper Towel Roll Holder, 2 - Screws (45236)	5
47176	1 - Black Webbed Quick Release Strap w/Release Buckle For Units Before 1/05	8
60479	1 - Black Cinchstrap w/Screw & Star Washer For Units After 1/05	2
13227	1 - Set of 4 each "Hand Washing Only" Labels	6
LCDES	1 - Easy Serve Dispensing Lever	7