

Gas heated self contained 150L tilting kettle with solid state controls for accurate temperature control ( $\pm 1^{\circ}\text{C}$ ) and low water safety. All exterior surfaces are stainless steel.

**STANDARD FEATURES**

- Automatic Electronic Spark Ignition System.
- Supplied with Gas Pressure Regulator.
- "Splash-Proof" rear-mounted pressure/vacuum gauge.
- Kettle and all exterior surfaces are a 304 Stainless Steel with a #4 finish.
- Energy efficient (65%), high performance gas-fired heating system for fast heat-up and recovery time:
- Steam jacket permanently filled with treated distilled water; venting and/or refilling is not required.
- 50 psi Steam Jacket Rating. Safety Valve mounted toward rear of kettle to avoid tampering.
- Tilt Mechanism of roller bearings and case hardened self-locking worm and segment gear.
- Support Legs with level adjustable feet, flanged for floor bolting.
- Large pouring lip for easier, faster, pouring. Heavy-duty Rolled Rim design provides strong reinforcement, prevents damages from abuse.
- Precise, consistent temperature control, less than  $1^{\circ}\text{C}$  temperature variance (ideal for simmering). Operating temperature range from  $63^{\circ}\text{C}$ - $127^{\circ}\text{C}$ .
- "Splash-Proof" Solid-State Control Panel for temperature, Low Water Safety, and Power "On/Off" Switch.

**OPTIONAL FEATURES**

- 316 Stainless Steel Liner (316)
- Kettle Markings (KM)
- Spring Assist Cover (CHS)
- Lift Off Cover (CL40)
- Basket Strainer (BS and TBS)
- Measuring Strip (MS)
- Food Strainer (FS)
- 51mm Tangent Draw-Off Valve (TD2)
- 76mm Butterfly Valve (BV3)
- Kettle Accessory Kit (KAK) includes: Clean-up Brush (CB) - 914mm Kettle Paddle (KP), 914mm Kettle Whip (KW) - 914mm Kettle Brush, Draw-Off Brush (DB) - 24 oz. Ladle (KL)
- Hot and cold water faucet (DPK), or cold water (SPK).



KGL40T - OPT shown

**TECHNICAL DATA**

Power Supply: 1NAC 240V, 1 Phase, 50Hz 5amp  
(2.5m Cable & Plug included)

Gas Consumption: 144mj

Gas Type: Natural or Propane

Gas Connection: 3/4"

Capacities (per kettle):  
(in 230 gram servings, other sizes may be calculated)  
40 gallons / 150 litres - 640 servings

AGA Approval no.: AGA 7974G

**SHIPPING DATA**

Shipping Weight: 250 kg

Shipping Dimensions: 1244W x 1244D x 1372H mm

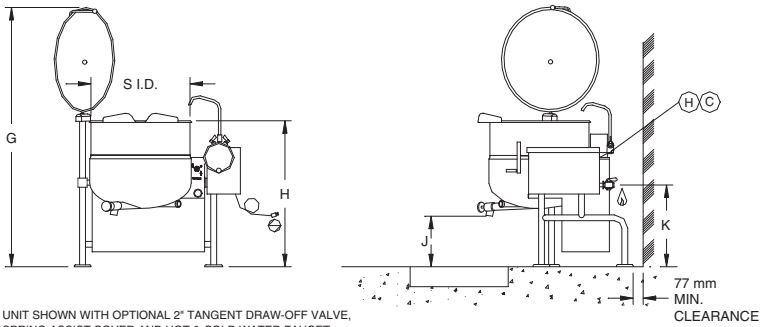
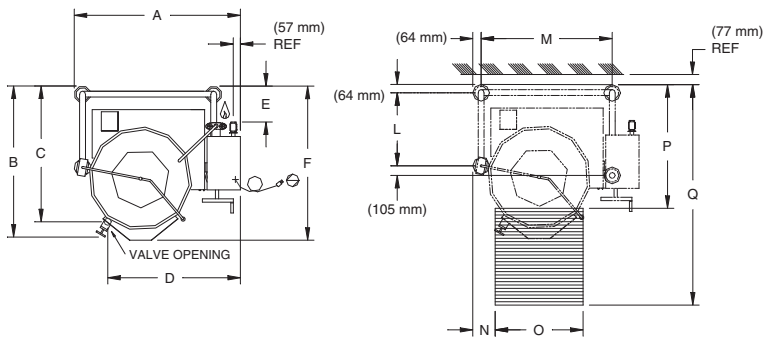
SPECIFICATIONS ARE SUBJECT TO CHANGE WITHOUT NOTICE.

**CODING GUIDE FOR OPTIONS**

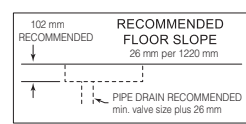
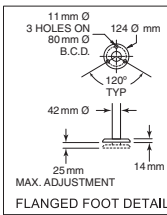
OPT	CHS and TD2	OPT8	CHS, TD3 and 316
OPT1	316 Liner only	OPT9	BV3, 316 only
OPT2	CHS only	*add OPT suffix to product code.	
OPT3	CHS and TD3		
OPT4	TD2 only		
OPT6	CHS TD2 and 316		
OPT7	CHS and BV3		

**DIMENSIONS**

LITRES	A	B	C	D	E	F	G	H	J	K	L	M	N	O	P	Q	S.I.D.	
150	mm	1163	108	966	889	229	1074	1804	1029	394	591	483	909	112	610	839	1601	661



UNIT SHOWN WITH OPTIONAL 2" TANGENT DRAW-OFF VALVE, SPRING ASSIST COVER AND HOT & COLD WATER FAUCET.



WATER	CLEARANCE
<p>1/2" dia. Soft Copper Tubing (each)</p> <p>When ordered with optional faucet.</p>	<p>RIGHT = 0"</p> <p>LEFT = 0"</p> <p>REAR = 3"</p> <p>Allow 6" space minimum from rear and sides when located near combustible walls. 12" recommended on right side for service</p>



**National Head Office**  
156 Swann Drive  
Derrimut VIC 3026  
Tel: +61 3 8369 4600  
Fax: +61 3 8369 4699  
[www.comcater.com.au](http://www.comcater.com.au)

**Melbourne**  
96-100 Tope Street  
South Melbourne VIC 3205  
Tel: +61 3 8699 1200  
Fax: +61 3 8699 1299

**Sydney**  
20/4 Avenue of the Americas  
Newington, NSW 2127  
Tel: +61 2 8775 9500  
Fax: +61 2 9648 4762

**Brisbane**  
1/62 Borthwick Avenue  
Murarrie QLD 4172  
Tel: +61 7 3900 2700  
Fax: +61 7 3399 5311

**Perth**  
Unit 16, 7 Abrams Street  
Balcatta, WA 6021  
Tel: +61 8 6217 0700  
Fax: +61 8 6217 0799