

The robust, stainless steel POLAR2-75 vacuum packaging machine is standard equipped with a Busch vacuum pump.

STANDARD FEATURES

- Standard with 2 seal bars (front-back): 2 x 620 mm
- Standard double seal (two wires)
- Silicone holders easily removable for cleaning and maintenance purposes
- Pump capacity: 160 m³/h Busch vacuum pump
- Pump maintenance and cleaning program
- Machine cycle: 15-40 sec
- Soft Air to protect the product and vacuum bag

- Standard Digital control with 10 program memory and Time control
- Flat work plate
- Comes with insert plates for a faster cycle and product adjustment
- Stainless steel exterior
- IP-65 Rating
- Service kit for standard maintenance



OPTIONAL FEATURES

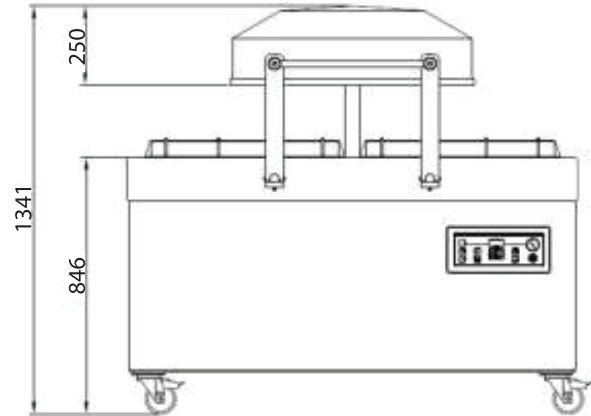
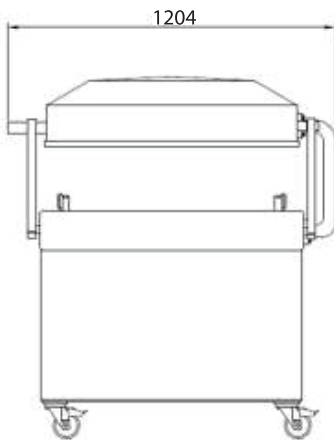
- Advanced Control System (ACS)
- 1-2 Cut-off/Bi-active seal
- Liquid control
- Automatic lid
- Cut off seal

- Wide seal (10mm)
- Gas flush (incl. pressed air connection)
- Preparation for external pump
- Heating element for vacuum valve

ACCESSORIES

- Zebra ZD410 thermal label printer (only in combination with ACS models)

- Inclined insert plate (for vacuum packing liquids and powders)



DIMENSIONS

External Dimension: 1483W x 1204D x 1341H mm

Chamber (usable space): 620W x 750D x 250H mm

TECHNICAL DATA

Voltage (Hz): 3NAC 400V 50Hz

Pump Capacity (m³/h): 160

Power (kW): 4.0

Weight: 537kg

RCM Approved: 

SPECIFICATIONS ARE SUBJECT TO CHANGE WITHOUT NOTICE.

